



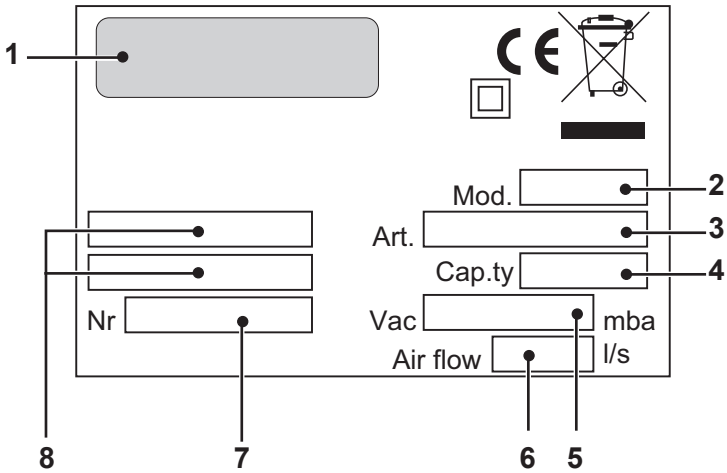
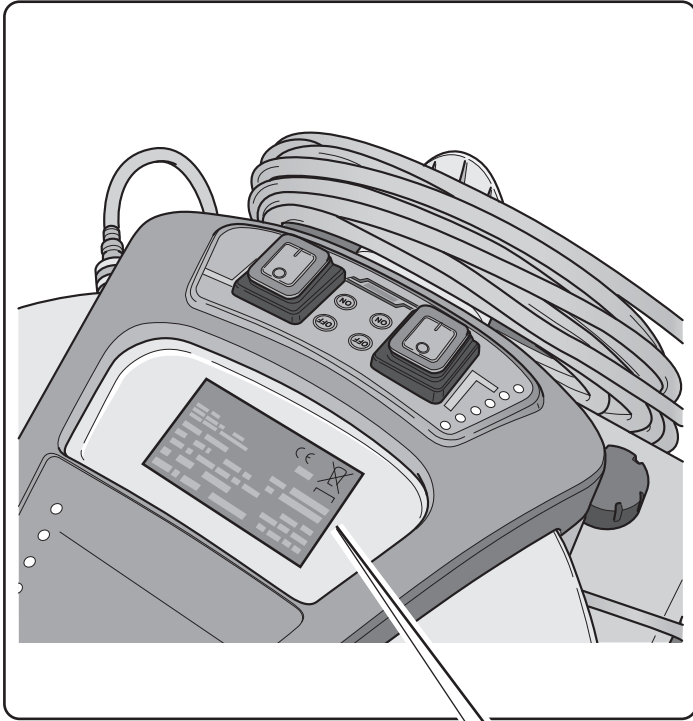
# **POWER EXTRA 7**

# **POWER EXTRA 7 UFS**

**EN** Use and Maintenance

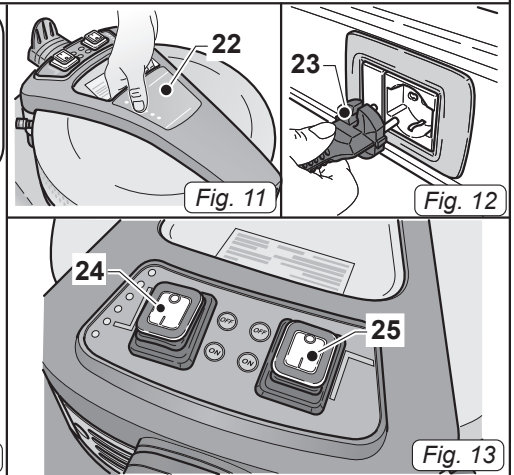
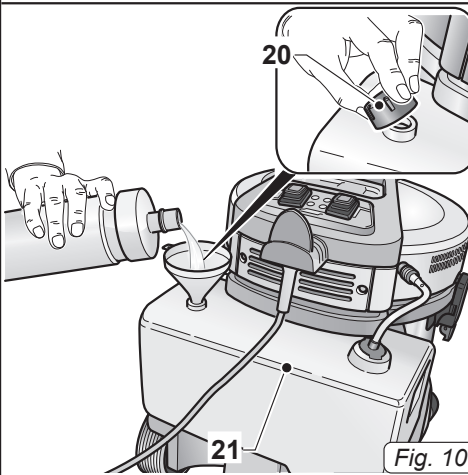
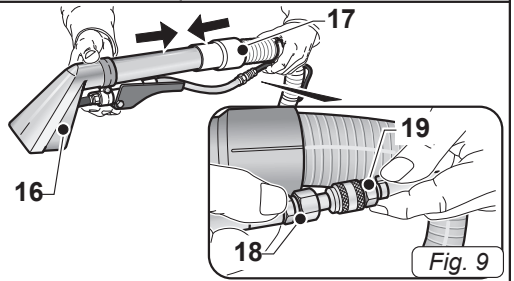
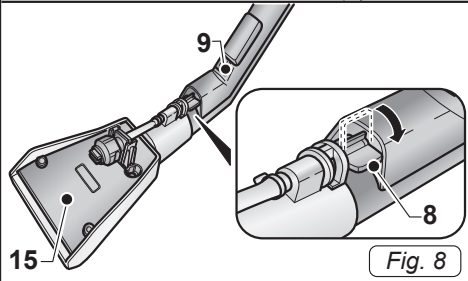
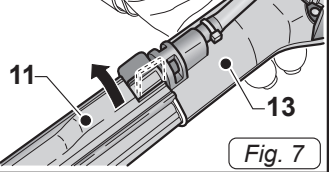
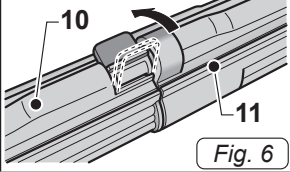
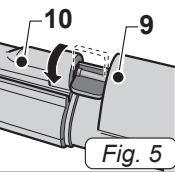
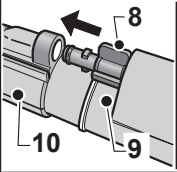
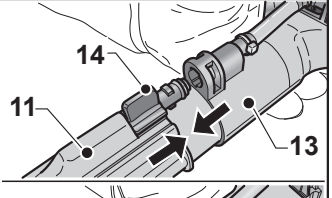
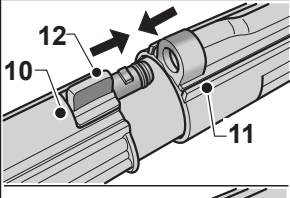
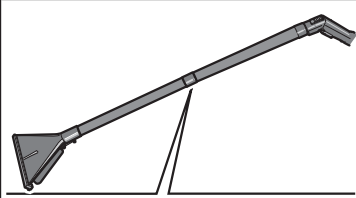
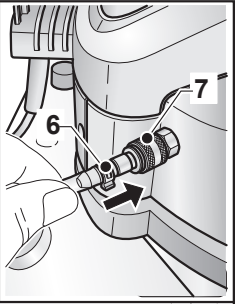
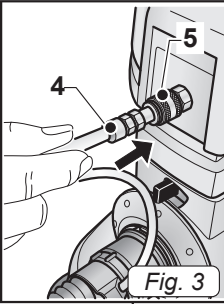
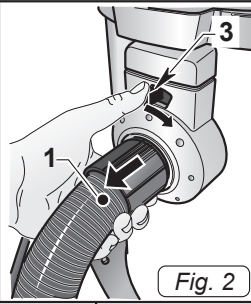
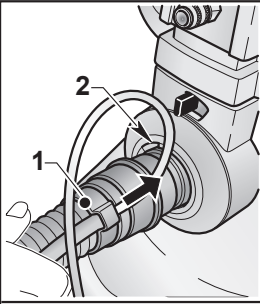
**CE**

8050831  
ed. 04/2022



	1	2	3	4
IT	Produttore	Modello	Articolo	Capacità fusto
EN	Manufacturer	Model	Article	Container capacity
FR	Producteur	Modèle	Article	Capacité de la cuve
DE	Hersteller	Modell	Artikel	Fassungsvermögen des Körpers
ES	Fabricante	Modelo	Artículo	Capacidad del bidón
PT	Produtor	Modelo	Artigo	Capacidade do reservatório
NL	Producent	Model	Artikel	Inhoud reservoir
CS	Výrobce	Model	Typ	Obsah nádoby
RU	Изготовитель	Модель	Артикул	Емкость бака
AR	الصانع	الطراز	النوع	سعة الخزان

	5	6	7	8
IT	Capacità aspirazione	Portata d'aria	N° Matricola	Caratteristiche elettriche
EN	Vacuum	Air flow	Serial N°	Electrical characteristics
FR	Capacité d'aspiration	Débit d'air	N° Matricule	Caractéristiques électriques
DE	Ansaugleistung	Luftdurchsatz	Matrikelnr.	Elektrische Eigenschaften
ES	Capacidad de aspiración	Caudal de aire	N° Matricola	Características eléctricas
PT	Capacidade de aspiração	Caudal de ar	Número de série	Características elétricas
NL	Zuigcapaciteit	Luchtdebiet	Serienummer	Elektrische eigenschappen
CS	Sací výkon	Množství dopravovaného vzduchu	Výrobní č.	Elektrické údaje
RU	Мощность всасывания	Расход воздуха	Заводской №	Электрические характеристики
AR	قدرة الشفط	تدفق الهواء	الرقم التسلسلي	المواصفات الكهربائية



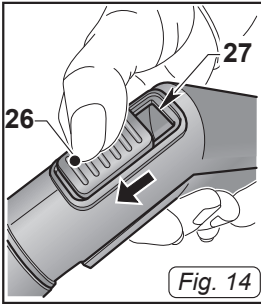


Fig. 14

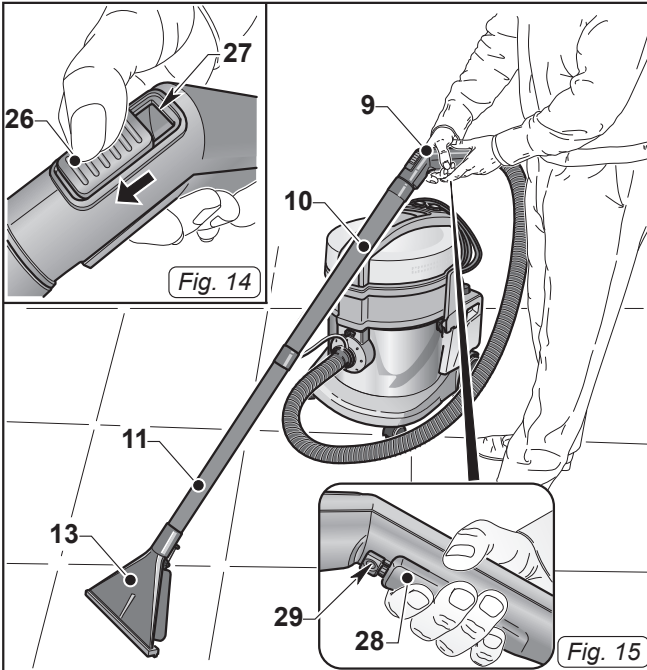


Fig. 15

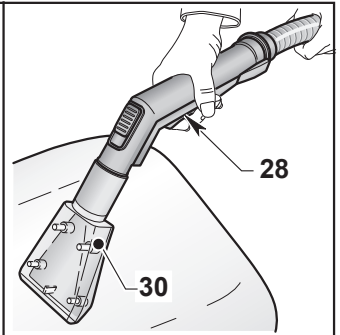


Fig. 16

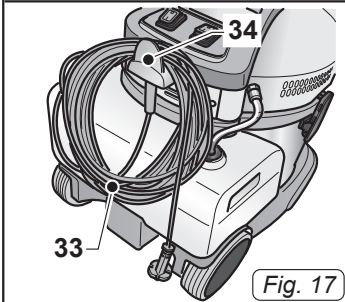


Fig. 17

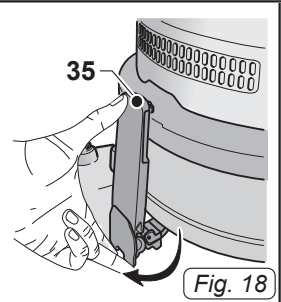


Fig. 18

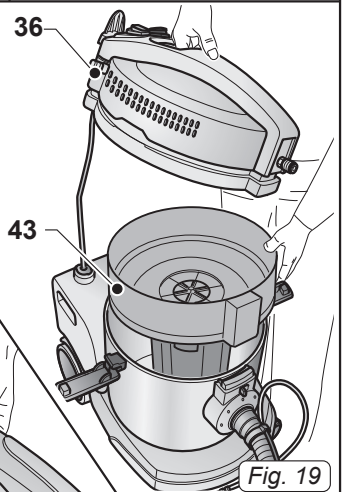


Fig. 19

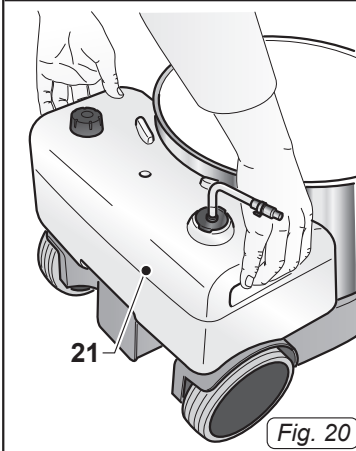


Fig. 20

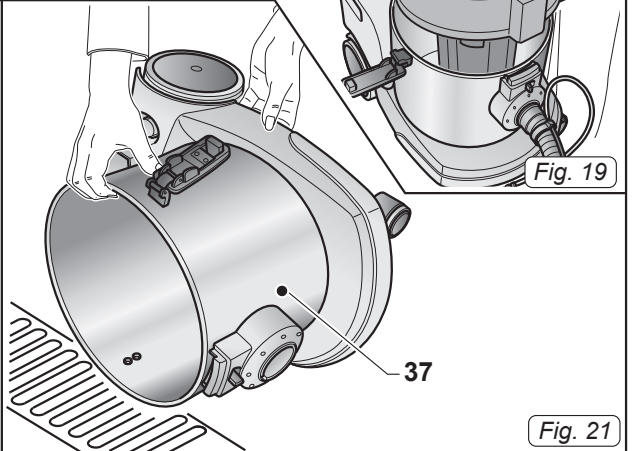
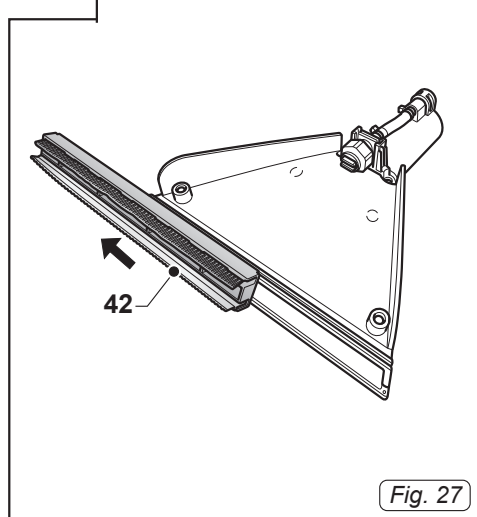
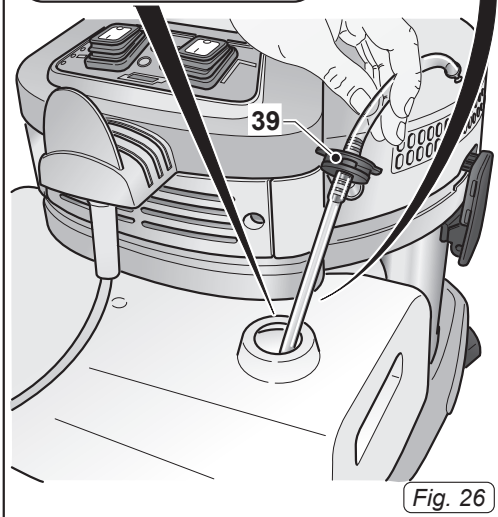
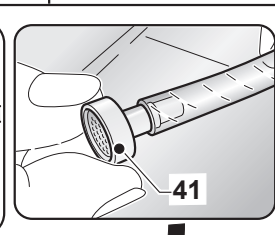
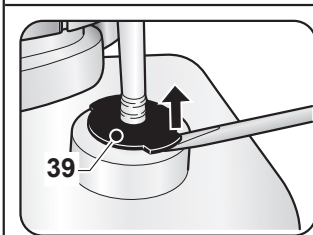
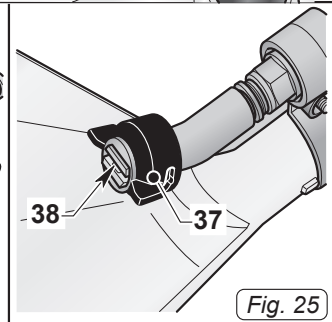
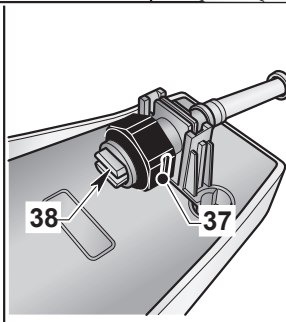
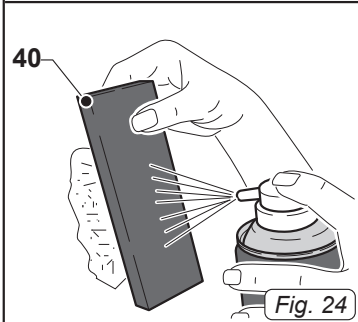
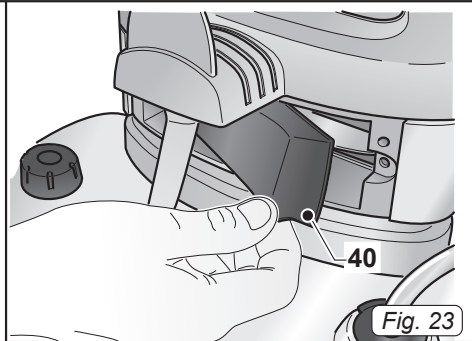
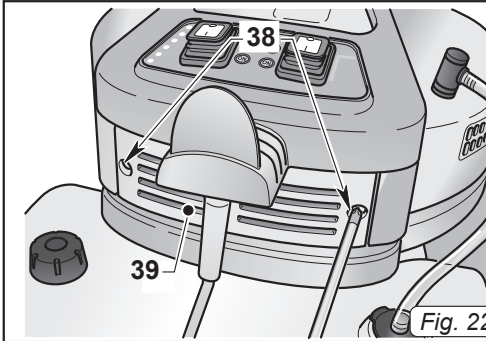
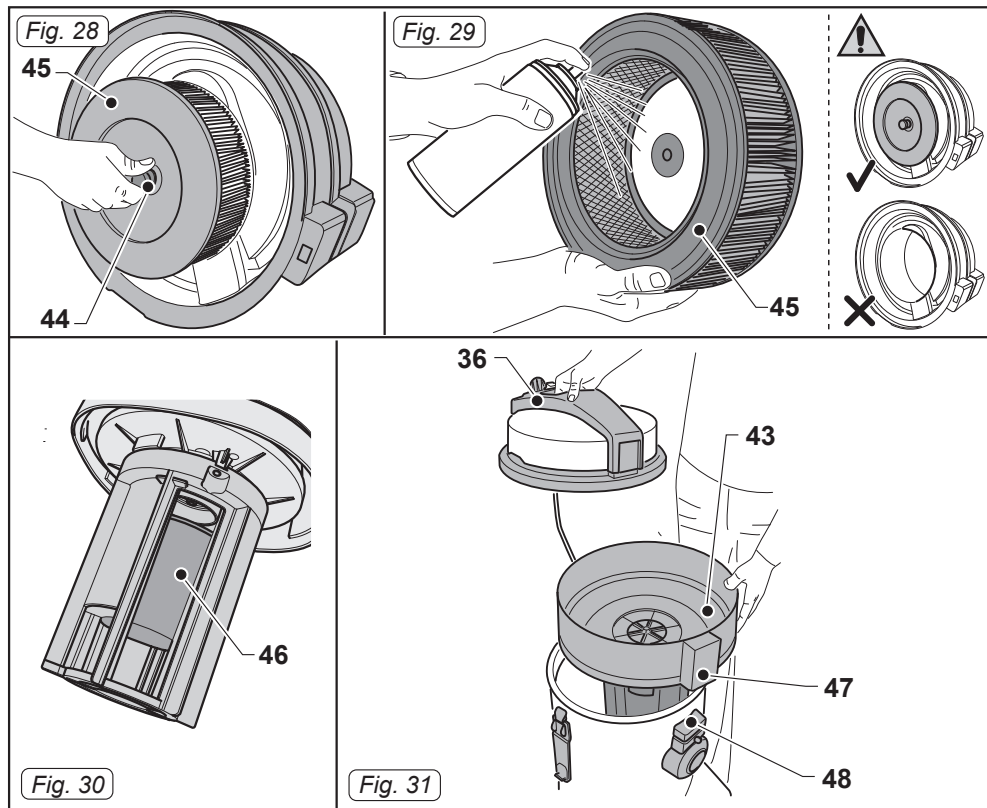


Fig. 21











English ..... EN - 1  
*(Translation of original instructions)*



## CARACTERÍSTICAS TÉCNICAS

Tensión .....	Ver placa de datos
Potencia motor .....	1200 / 1350 W
Nivel de ruido .....	60 dB(A)
Depresión.....	240 / 260 mbar
Capacidad útil del depósito .....	11 l
Capacidad del depósito detergente .....	7 l
Dimensiones .....	530 x 380 x 485H mm
Peso .....	10,5 kg
Peso (UFS) .....	11,5 kg
Accesorios.....	Ø 36 mm

## INTRODUCCIÓN



### PELIGRO:

Antes de utilizar la unidad, por favor lea el folleto “**MEDIDAS DE SEGURIDAD PARA EL VACÍO**”, que se adjunta a esta.

Este manual es parte integral de la máquina, debe conservarse cuidadosamente en un lugar seguro y de fácil acceso para los usuarios (operadores y personal encargado del mantenimiento), durante la vida útil de la misma hasta su demolición.

## TIPO DE USO

Este aparato ha sido concebido para el lavado por pulverización y la eliminación de suciedad sobre cualquier tipo de tejido, moquetas, sillones, asientos de coches, pavimentos, etc...

Es posible utilizarlo como aspiradora y aspirador de elementos sólidos y líquidos utilizando sus debidos accesorios bajo pedido. Solo con estos fines ha sido diseñado.



### PELIGRO:

**El fabricante no asume ninguna responsabilidad por los daños que puedan generarse por el uso inadecuado o incorrecto del aparato.**

**Cualquier otro uso releva de responsabi-**

**lidad al fabricante por los daños que se le ocasionen a las personas o las cosas y deja sin efectos la garantía.**

## USO INCORRECTO

No utilice el aparato para:

- Aspirar sustancias inflamables, explosivas, corrosivas o tóxicas.
- Aspirar sustancias calientes.
- No utilizar el aparato en versión aspirador de líquidos para aspirar polvo y vice-versa.

Tampoco utilice el aparato en lugares con riesgo de explosión.

## PREPARACIÓN DEL APARATO

### Ensamblaje de las tuberías

- Introducir el manguito hasta el final (1 Fig. 1) del tubo de aspiración de la boquilla (2 Fig. 1) del bidón.
- Para desconectar el manguito (1 Fig. 2) desplazar la palanca (3 Fig. 2) en sentido horario y tirar hacia el exterior del manguito (1 Fig. 2).
- Conectar el tubo (4 Fig. 3) de envío de detergente al acoplamiento rápido (5 Fig. 3); para desengancharlo empujar el acoplamiento rápido (5 Fig. 3) hacia el interior.
- Conectar el tubo (6 Fig. 4) de aspiración de detergente al acoplamiento rápido (7 Fig. 4); para desengancharlo empujar el acoplamiento rápido (7 Fig. 4) hacia el interior.

## Hose assembly for fabric washing (if present)

After connecting the suction hose to the outlet the drum, do as follows:

- Make sure the lever (8 Fig. 8) is in vertical position then attach the fabric nozzle (15 Fig. 8) to the ergonomic handle (9 Fig. 8) and lock it in place by turning the lever (8 Fig. 8) to the horizontal position.

## Professional hose assembly for fabric washing (if present)

After connecting the suction hose to the outlet the drum, do as follows:

- Insert the fabric nozzle (16 Fig. 9) into the flexible hose (17 Fig. 9).
- Connect the detergent hose (18 Fig. 9) to the quick coupling (19 Fig. 9) on the flexible hose; to release it push the quick coupling (19 Fig. 9) towards the hose.

## Filling the detergent tank

- Remove the cap (20 Fig. 10) and pour the detergent liquid (suitable for the surfaces to be washed) into the tank (21 Fig. 10).



### **NOTE:**

For detergent dosing refer to the manufacturer's instructions.

- Put the cap back on (20 Fig. 10).

## USING THE APPLIANCE

- The appliance is fitted with wheels and can therefore be pulled along using the flexible hose.
- To lift it up, insert your fingers under the handle (22 Fig. 11) on the top of the cover.

### Starting up the appliance

- Insert the plug (23 Fig. 12) into the electrical socket.
- Push the switch (24 Fig. 13) on "I" to start the suction motor; the switch lights up.
- Push the switch (25 Fig. 13) on "I" to start the detergent pump; the switch lights up.



### **NOTE:**

The suction motor and the detergent pump operate independently; therefore, it is possible to:

- wash fabrics or floors/ carpets by starting only the detergent pump;
- wash and suction liquid simultaneously by starting up the detergent pump and suction motor at the same time;
- suction liquids by only starting the suction motor.



### **NOTE:**

For the ergonomic handle (if present) it is possible to adjust the suction force using the selector (26 Fig. 14).

The suction force is decreased by opening the window (27 Fig. 14).

## Washing floors or carpets

- To wash floors or carpets it is necessary to mount the hose with ergonomic handle (9 Fig. 15), the rigid extensions (10 and 11 Fig. 15) and the floor nozzle (13 Fig. 15), if present.
- Start the suction motor and the detergent pump by pressing the relative switches (24 - 25 Fig. 13).
- Press the switch (28 Fig. 15) to dispense the detergent, release the button to stop dispensing.

The switch (28 Fig. 15) can be blocked in the pushed position (continuous detergent dispensing) by moving the slide (29 Fig. 15) towards the switch (28 Fig. 15).

When the slide (29 Fig. 15) is moved back to its original position the switch is released and detergent dispensing stops.

- The detergent released washes the floor/ carpet / and the dirty liquid is suctioned into the tank of the appliance.

For very dirty areas it is recommended you apply detergent to the dirty area without suctioning it; leave the detergent allowing it to work for several seconds and then wash the area and suction the dirt.



### **NOTE:**

To prevent the detergent pump from breaking, it is recommended that you stop its operation, pushing the relative switch, when dosing has not occurred for several minutes.



### **NOTE:**

When the recovery tank is full, noise increases and the appliance does not suction; therefore, switch it off and empty the tank as described in the relevant paragraphs.

## Cleaning chairs

- Mount the fabric nozzle (30 Fig. 16) on the relative hose (31 Fig. 16).
- Start the suction motor and the detergent pump by pressing the relative switches (24 - 25 Fig. 13).
- Place the nozzle on the fabric pressing slightly then press the switch (28 Fig. 15) or the lever (32 Fig. 15), depending on the nozzle type, to dispense the detergent, release to stop dispensing.

For very dirty areas it is recommended you apply detergent to the dirty area without suctioning it; leave the detergent allowing it to work for several seconds and then wash the area and suction the dirt.



### **NOTE:**

To prevent the detergent pump from breaking, it is recommended that you stop its operation, pushing the relative switch, when dosing has not occurred for several minutes.



### **NOTE:**

When the recovery tank is full, noise increases and the appliance does not suction; therefore, switch it off and empty the tank as described in the relevant paragraphs.

## Switching off the appliance

- Press the switches (24 and 25 Fig. 13) to "0" to switch off the appliance; the lamps on the switches will go out.
- Remove the plug (23 Fig. 12) from the electrical socket.
- Wind up the cable (33 Fig. 17) and hook it onto its housing (34 Fig. 17).

## CLEANING AND MAINTENANCE



### DANGER:

Before performing any maintenance operations, unplug the appliance from the electrical socket.

### Daily cleaning

#### Emptying the recovery tank

- Disconnect the detergent delivery hose (4 Fig. 3) and the flexible hose (1 Fig. 2).
- Disconnect the detergent suction hose (6 Fig. 4).
- Release the levers (35 Fig. 18) and remove the cover (36 Fig. 19) complete with the motor unit and the float holder (43 Fig. 19).
- Remove the detergent container (21 Fig. 20) lifting it by the handles.
- Place yourself over a floor drain and empty the liquid in the recovery tank (37 Fig. 21)
- Clean the inside of the tank with running water.
- (If present) Reassemble the float holder (43 Fig. 31) with the front side (47 Fig. 31) aligned with the front part of the machine (48 Fig. 31).
- Reassemble the cover (36 Fig. 19) and lock it using the levers (35 Fig. 18).

#### Cleaning the detergent dosing circuit

At the end of each workday, clean the detergent dosing circuit as follows to prevent clogging:

- Disconnect the detergent delivery hose (4 Fig. 3).
- Disconnect the detergent suction hose (6 Fig. 4).
- Lift up the levers (35 Fig. 18) and remove the cover (36 Fig. 19) complete with motor.
- Remove the detergent container (21 Fig. 20) lifting it by the handles.

- Remove the cap (20 Fig. 10) of the detergent container and empty the residual liquid into a suitable container.
- Wash the inside of the detergent container with running water.
- Reassemble all of the parts performing these operations in the reverse order.
- Pour clean water into the detergent container, electrically connect the appliance and start the dosing pump by pressing the switch (25 Fig. 13).
- Clean the circuit by pressing the switch (28 Fig. 15) or the lever (32 Fig. 15), depending on the type of nozzle.
- Dispense the liquid from the nozzle until clean water comes out.
- Empty the water in the detergent tank as described above.

#### Cleaning the appliance body

- Clean the unit body with a cloth dampened with water or a mild detergent;



### DANGER:

Do not wash the appliance using jets of water.

### Periodic checks

#### Checking the air outlet filter

- Loosen the screws (38 Fig. 22) and remove the cover (39 Fig. 22)
- Remove the filter sponge (40 Fig. 23) and clean it with a blast of air (Fig. 24).  
The filter sponge can be washed in warm water and must only be replaced once it is completely dry. If it is too dirty, replace it with a new one.
- Reassemble all the parts by following the dismantling process steps in the reverse order.

## **Cleaning the detergent dispensing nozzle**

If you note that the detergent is not dispensed evenly, clean the nozzle as described below:

- Remove the ring nut (37 Fig. 25).
- Remove the nozzle (38 Fig. 25) and clean it with running water, if it is clogged use a pin being careful not to distort the shape of the nozzle.
- Reassemble all of the parts performing these operations in the reverse order.

## **Cleaning the detergent suction filter**

If you note that the detergent is not being suctioned properly, check and clean the suction filter located inside the detergent tank.

- Using a screw driver, loosen the suction cap (39 Fig. 26) and remove it from the tank with the relative suction hose.
- Remove the filter (40 Fig. 26) and wash it under running water; if it is too clogged it should be replaced.
- Reassemble all of the parts performing these operations in the reverse order.

## **Replacing the floor nozzle squeegee (if present)**

If when washing the floors the washing liquid is not suctioned properly and the floor or carpet remains wet, check the condition of the squeegee (41 Fig. 27).

If the squeegee is worn or damaged replace it by slipping the squeegee and its bristles off the nozzle as shown in figure 27.

## **Cartridge filter cleaning (if present)**

- Release the levers (35 Fig. 18) and remove the cover (36 Fig. 19) complete with the motor unit.
- Unscrew the knob (44 Fig. 28) and remove the filter (45 Fig. 28).
- Clean the filter (45 Fig. 29) with a jet of air from the inside to the outside; it is possible to wash the filter (45 Fig. 29) in luke-warm water and reassemble it only after it has completely dried. If it is too dirty, replace it.
- Reassemble everything by proceeding in reverse order to disassembly.

## **Float functionality check**

- Remove the cylinder head as indicated above.
- Check that the float (46 Fig. 30) is intact and that it slides freely in its seat.
- Reassemble everything by proceeding in reverse order to disassembly.

## **SPARE PARTS**

Manual nozzle (vers. auto) ... Code 7180085  
Extractor M7 + strip ..... Code 6010692  
Small nozzle ..... Code 6010695

<b>PROBLEM</b>	<b>CAUSE</b>	<b>SOLUTION</b>
The vacuum cleaner does not work.	Switch not pressed.  Plug not inserted.  Power cut.	Press the switch.  Insert the plug into the socket.  Check the power line.
Suction is not satisfactory.	Accessories or tubes clogged.  Suction nozzle squeegee worn or damaged.	Check and clean the flexible hose and the suction nozzle.  Check and replace the squeegee.
Detergent dispensing not even.	Nozzle clogged.  Filter clogged.	Clean nozzle.  Clean suction filter.
Detergent dispensing not working.	Switch not pressed.	Press the switch.

---

---

---

---

---

---

---

---

---

---

---

---

---

---

---

---

---

---

---

---

---

---

---

---

---





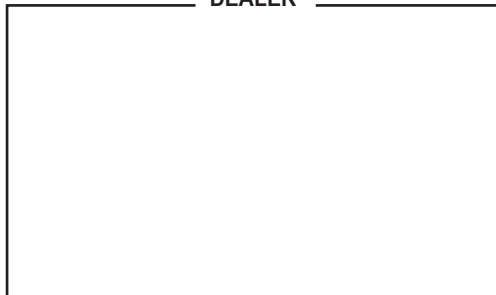








DEALER



Cod. 8050831 - 6ª ed. - 04/2022

## GHIBLI & WIRBEL S.p.A.

Registered office:

Via Enrico Fermi, 43 - 37136 Verona (VR) - Italy

Headquarters:

Via Circonvallazione, 5 - 27020 Dorno (PV) - Italy

P. +39.0382.848811 - F. +39.0382.84668 - M. info@ghibliwirbel.com

[www.ghibliwirbel.com](http://www.ghibliwirbel.com)

100% MADE IN ITALY



ISO 9001

