



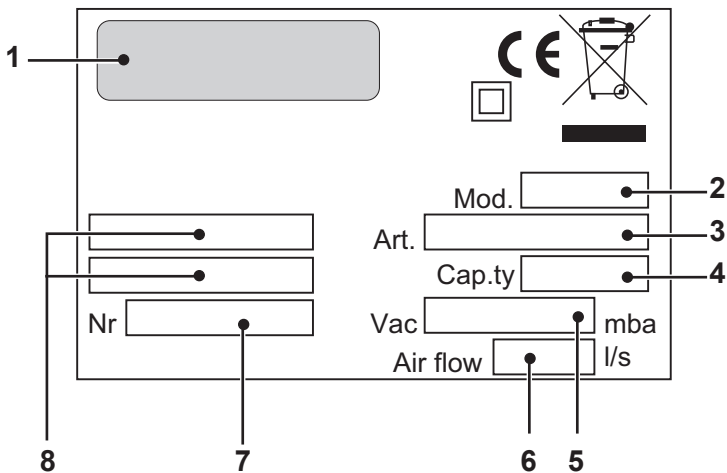
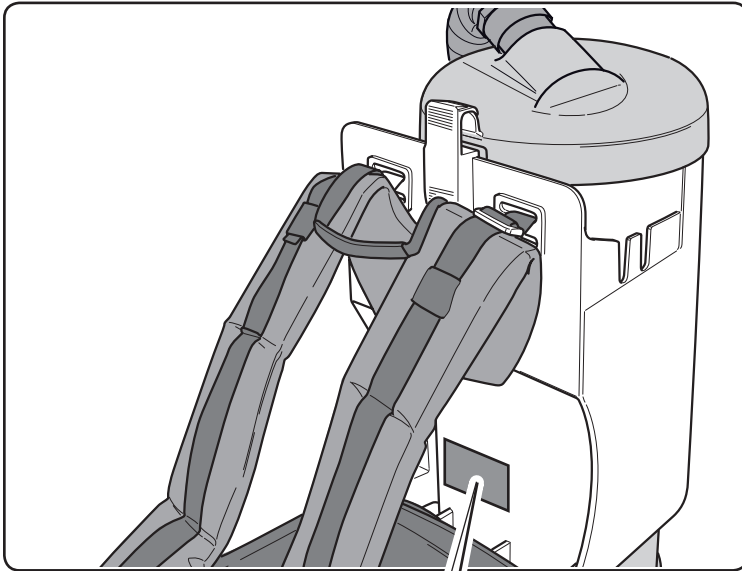


T1
T1 BC thium
T1 BC thium Swift
W1
W1 BC thium
W1 BC thium Swift

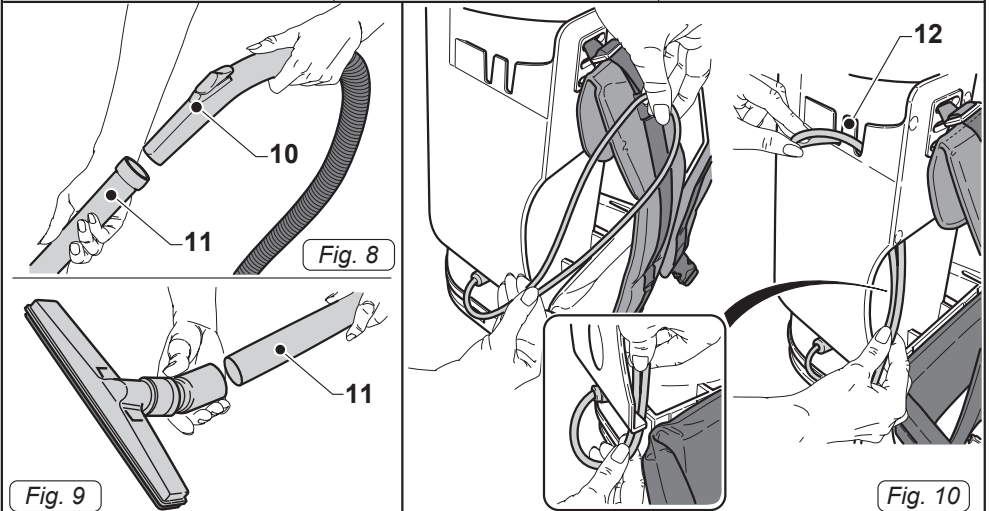
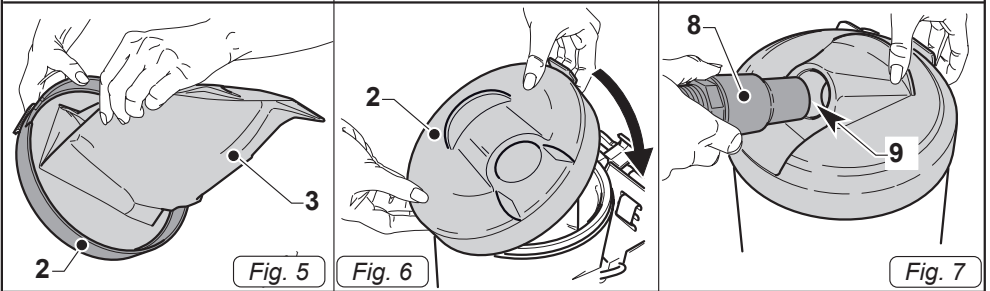
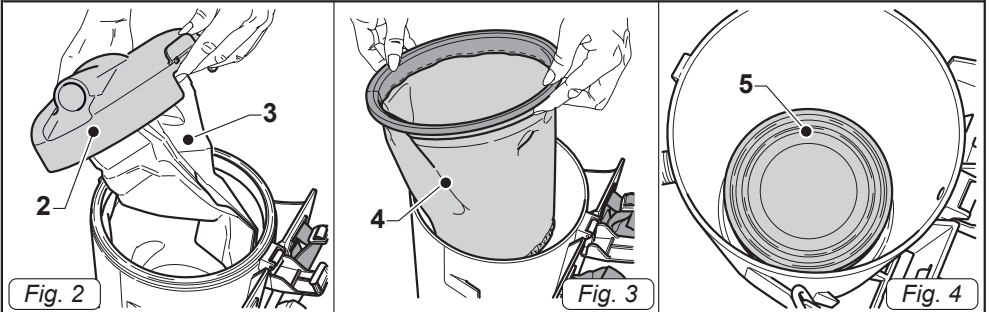
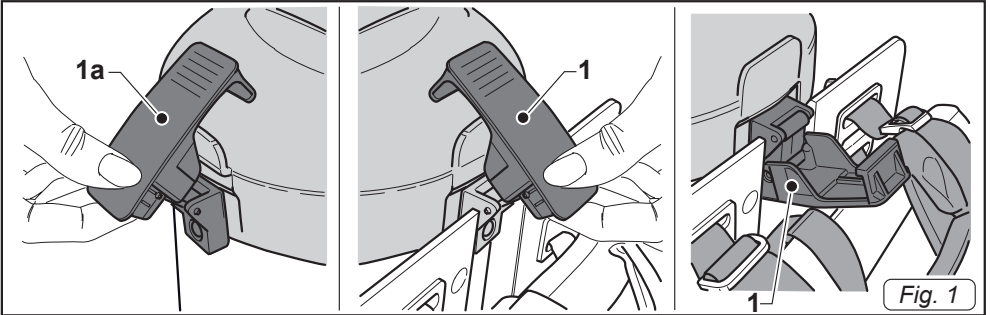
EN Use and Maintenance

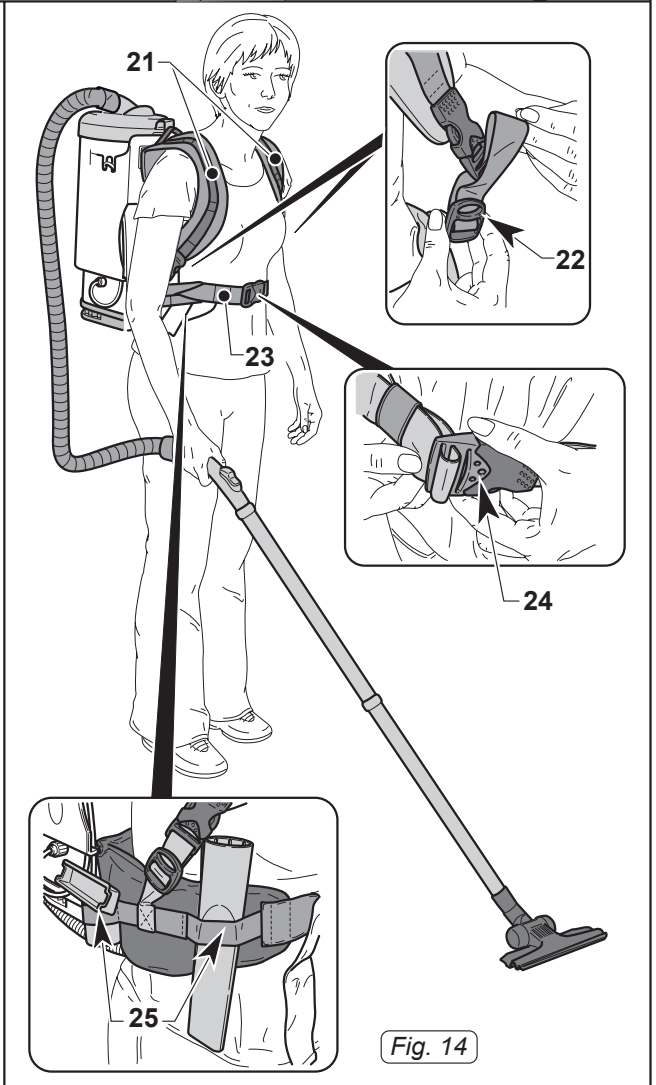
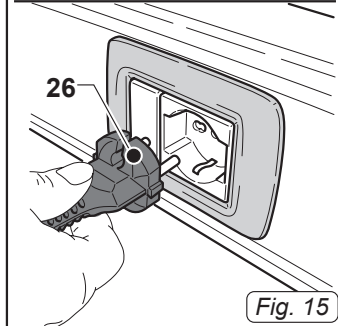
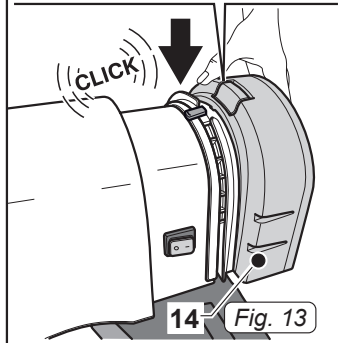
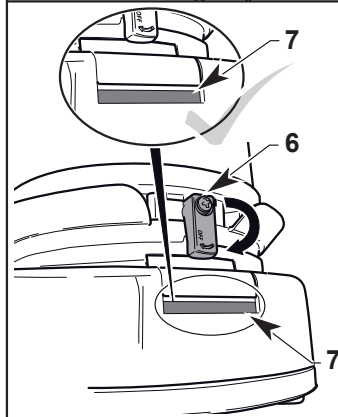
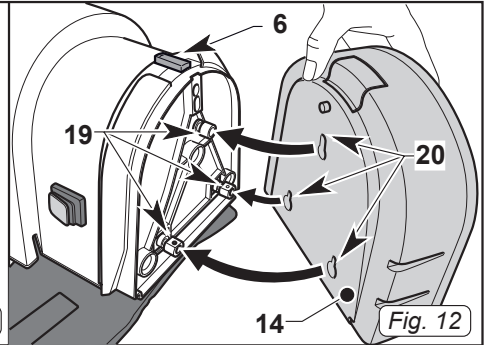
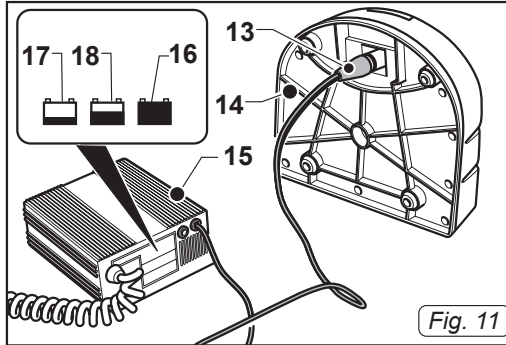
CE

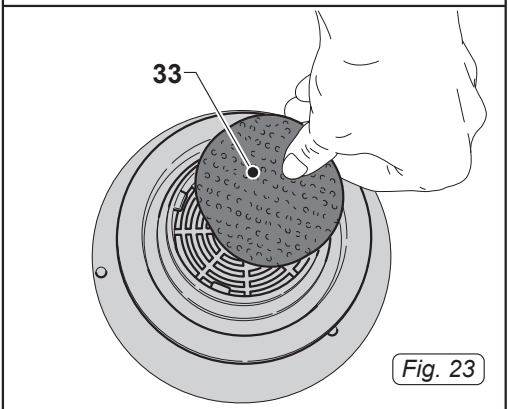
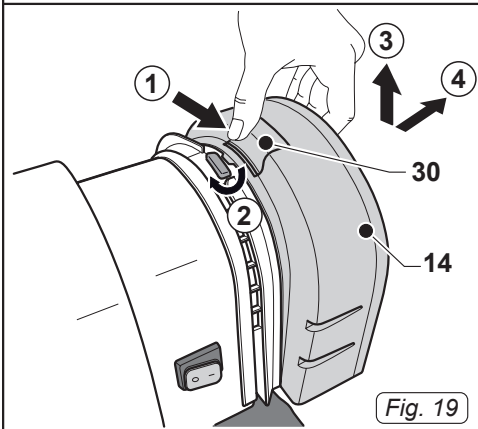
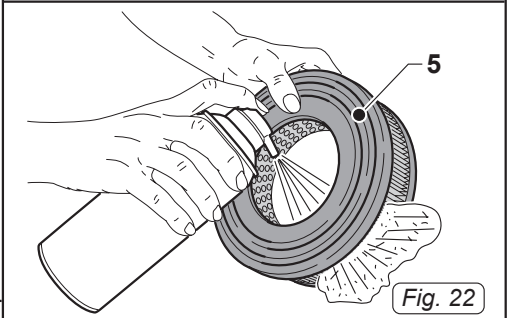
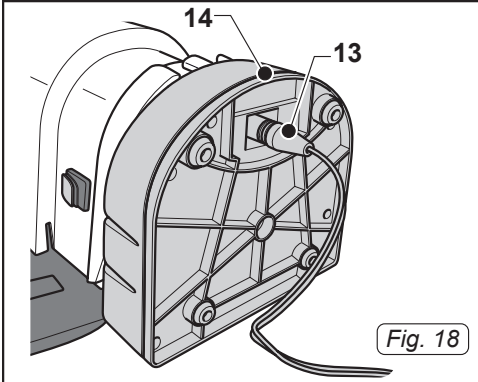
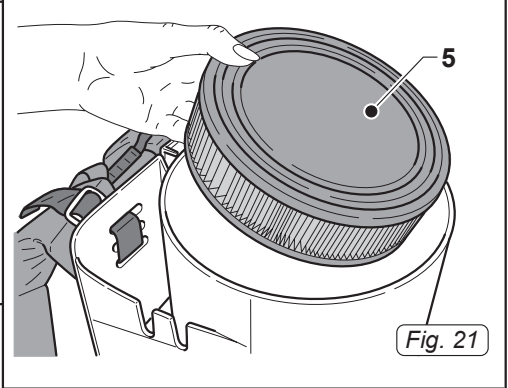
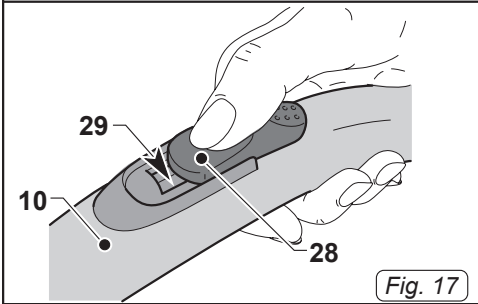
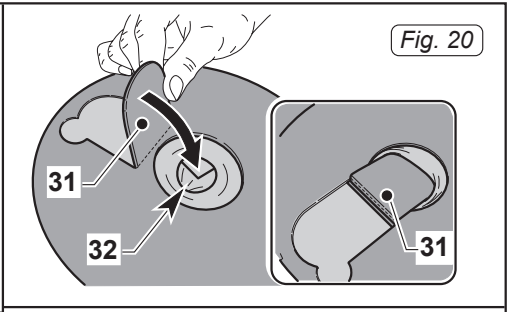
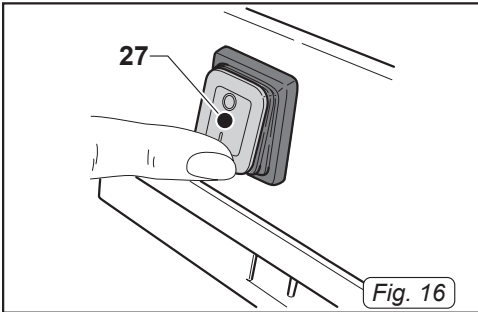
8050823
ed. 04/2022



1	2	3	4	5	6	7	8
IT	Produttore	Modello	Articolo	Capacità aspirazione	Portata d'aria	N° Matricola	Caratteristiche elettriche
EN	Manufacturer	Model	Container capacity	Vacuum	Air flow	Serial N°	Electrical characteristics
FR	Producteur	Modèle	Capacité de la cuve	Capacité d'aspiration	Débit d'air	N° Matricule	Caractéristiques électriques
DE	Hersteller	Modell	Fassungsvermögen des Körpers	Ansaugleistung	Luftdurchsatz	Serien-Nr.	Elektrische Eigenschaften
ES	Fabricante	Modelo	Capacidad del bidón	Capacidad de aspiración	Caudal de aire	N° Matricola	Características eléctricas
PT	Produtor	Modelo	Capacidade do reservatório	Capacidade de aspiração	Caudal de ar	Número de série	Características eléctricas
NL	Producent	Model	Inhoud reservoir	Zuigcapaciteit	Luchtedebiet	Serienummer	Elektrische eigenschappen
NO	Produsent	Modell	Beholderkapasitet	Sugekapasitet	Lufmengde	Matrikelnr.	Elektriske egenskaper
DK	Fabrikant	Model	Beholdervolumen	Sugeeffekt	Lufmængde	Matrikelnummer	El-specifikationer
SV	Tillverkare	Modell	Korgens kapacitet	Sugkapacitet	Luftflöde	Serienummer	Elektriska egenskaper
PL	Producent	Model	Pojemność zbiornika	Podsiśnienie (mbar)	Przepływ powietrza	Nr. Fabryczny	Właściwości elektryczne
CS	Výrobce	Model	Obsah nádobý	Sací výkon	Množství dopravovaného vzduchu	Výrobní č.	Elektrické údaje
SK	Výrobca	Model	Objem nádobý	Sací výkon	Prietok vzduchu	Výrobné č.	Elektrické vlastnosti
TR	Üretici	Model	Gövde kapasitesi	Aspirasyon kapasitesi	Hava Akışı	Seri No	Elektriksel Özellikler
HU	Gyártó	Modell	A szűrő teljesítménye	Szívó teljesítmény	Levegőhozam	Teljesítményi szám	Elektromos sajátosságok
RO	Producător	Model	Capacitate rezervor	Capacitate aspirajie	Volum aer	Nr. Matricol	Caracteristici electrice
EL	Κατασκευαστής	Μοντέλο	Χωρητικότητα κάδου	Ικανότητα αναρρόφησης	Ροή αέρα	Αρ. Μητρώου	Ηλεκτρικά χαρακτηριστικά
RU	Изготовитель	Модель	Емкость бака	Мощность всасывания	Расход воздуха	Заводской №	Электрические характеристики
HR	Proizvođač	Model	Zapremnina spremnika	Usisni kapacitet	Protok zraka	Registrajski br.	Električna svojstva
SR	Proizvođač	Model	Kapacitet posolja	Kapacitet usisa	Nosivost vazduha	Br. Proizvoda	Električne karakteristike
BG	Производител	Модел	Вместимост на резервоара	Капацитет на засмукване	Въздушен поток	Серийен номер	Електрически характеристики
ET	Tootja	Mudel	Paagi maht	Imemisõivimsus	Õhuvool	Seerianumber	Elektrilised omadused
FI	Vaimistaja	Malili	Kapasiteetti tekojärvi	Kapasiteetti poisto	Virtaus ilma	Sarjanumero	Sähköiset ominaisuudet
LV	Ražotājs	Modelis	Tvertnes tilpums	Sūkšanas jauda	Gaisa plūsmas	Sērijas numurs	Elektriskie raksturlielumi
LT	Gaminiojas	Modelis	Bako talpa	Ūsiurbimo galimybės	Eilės numeris	Eilės numeris	Elektrinės charakteristikos
SL	Proizvajalec	Model	Prostornina rezervoarja	Sesalna zmogljivost	Pretek zraka	Serijska številka	Električne značilnosti
AR	المصنّع	الطراز	سعة الخزان	قدرة الشفط	تنفق الهواء	الرقم التسلسلي	المواصفات الكهربائية









English EN - 1
(Translation of original instructions)

TECHNICAL FEATURES

Direct supply model			
Tension 220-240 V			
CE T1 800W		T1 1350W	
Motor power	800 W	Motor power	1350 W
Noise level	58 +/- 2 dB(A)	Noise level	60 +/- 2 dB(A)
Depression	240 mbar	Depression	290 mbar
Fleece bag capacity	3,3 l	Fleece bag capacity	3,3 l
Dimensions	240 x 495h x 202Ø mm	Dimensions	240 x 495h x 202Ø mm
Weight	6,5 kg	Weight	6,5 kg
Accessories	Ø 32 (36) mm	Accessories	Ø 32 (36) mm

Battery supply model	
Tension	24 V
Battery voltage	220-240 V
Motor power	300 W
Noise level	54 +/- 2 dB(A)
Depression	125 mbar
Fleece bag capacity	3,3 l
Dimensions	240 x 580h x 202Ø mm
Weight	7,5 kg
Accessories	Ø 32 (36) mm

ADDITIONAL SAFETY WARNINGS

Battery

- Do not insert metal objects in the battery's contact wholes because it could cause a short-circuit between the poles.
- Do not leave your battery or device in the sun for several minutes.
- Warning! Use only original batteries, DO NOT manipulate the

battery and DO NOT remove the seal.

- Make sure the batteries are not subject to shocks, the outer casing may break.

Charger

- Use only the provided charger- and no other type.
Do not use the charger for charging other batteries; it could be damaged.
- Avoid damaging or crushing the charger cable during use.
- Never pull the charger by the cable.
- Extension cables must have a section equal or bigger than the cable.
- Never pull the cord to unplug the charger.

Battery disposal

- Do not throw away in fire and/ or do not dispose of batteries in the environment. Hand them to the collection centre , following the rules in force in the country of use.
- DO NOT dispose along with household waste.

TYPE OF USE

Use this device only as a vacuum cleaner to suck up dust, crumbs, etc...

The device has been designed only for this use.



DANGER:

The manufacturer can not be held responsible for any damage due to improper use.

Any other use relieves the manufacturer from liability for damages to persons and/or property and invalidates any guarantees.



WARNING:

Do not use the unit for:

- Suctioning of liquids of any kind;
- Vacuum hot substances.

Don't pick up flammable, incandescent, explosive or toxic dust/blends.

This machine is not suitable for picking up dangerous dust.

Do not use the equipment in hazardous environments.

Use only with dust or dry materials.

Users must be properly trained to use the machine.



WARNING:

Do not use outdoors.

This appliance must be stored, taking its weight into consideration, on a solid, steady, safe and not sloping plane, indoor and in a dry area.

PREPARATION OF EQUIPMENT

Control filter systems

- Release the lever (1a/1 Fig.1) and remove the cover (2 Fig.2) completely, along with the fleece filter bag (3 Fig.2).
- Remove the cloth dust bag (4 Fig. 3) and check that the cartridge filter (5 Fig. 4) is mounted inside the unit.
- Replace the filter cloth (4 Fig.3), replace the paper bag (3 Fig.5) on the cover (2 Fig.5) and keeping it in position refit the cover (2 Fig.6).
- Lock the lid by the handle (1a/1 Fig.1)



NOTE:

The cover can be mounted with the output of the tube left or right according to the needs of the user.

Assembling of pipes

- Insert the sleeve (8 Fig.7) hose supplied in the air intake hole (9 Fig.7).
- Attach the rigid extensions to the ergonomic handle (10 Fig.8) of the hose (11 Fig.8).
- Attach to the rigid extension (11 Fig.9) the wanted accessory (suction nozzle, dusting brush, crevice tool, etc. ...)



WARNING:

Placing electric cable

(for 230 V model)

- Form a ring with the with the electric cable and attach it to the support (12 Fig.10) positioning it as shown in figure 10.

Before recharging the batteries

(for Model 24 V)

Remove the charger and the battery from the pack.

- Plug the cable (13 Fig.11) to the battery (14 Fig.11).
- Connect the charger to the socket. (15 Fig.11).



NOTE:

After connecting the power cable (15 Fig. 11) before connecting the cable (13 Fig.11) to the battery (14 Fig. 11) the charger WON'T WORK.

- On the charger (15 Fig. 11) the „green” led will blink twice (16 Fig. 11) indicating proper functioning;; then, the red led will turn on (17 Fig. 11) or the yellow one (18 Fig. 11) depending on the battery's condition.
- When the charger light turns green (16 Fig. 11) the batteries are charged.



NOTE:

Do not leave the cable (13 Fig. 11) connected to the battery with the network cable disconnected from the charger; the batteries may discharge and could be damaged.

Installing the batteries

(for 24V model)

- Check if the switch (27 Fig.16) is on position “0”.
- Place the battery (14 Fig. 12) on the device by inserting the contacts (19 Fig. 12) in the wholes (20 Fig. 12).
- Press the battery (14 Fig. 13) down until you here a coupling „CLICK”.
- Make sure that the lever (6 Fig. 13) is facing down and that in the slot (7 fig. 13) appears the green color indicating the correct coupling.

Positioning device on the shoulders

- Lift the unit and place it on your shoulders.
- Adjust the shoulder straps (21 Fig.14) with the help of the buckles (22 Fig.14).
- Adjust the belt (23 Fig.14) using the buckle (24 Fig.14).



NOTE:

On the belt (23 Fig.14) are positioned elastic tapes (25 Fig.14) which serve for the positioning of accessories such as the dusting brush, for tight spaces, etc...

USE OF EQUIPMENT

Start-up of equipment

- Insert the plug (26 Fig.15) in the socket (230V model only).
- Press the switch (27 Fig.16) to “I” (the lamp lights switch only for the 230V model).



NOTE:

You can adjust the suction force acting on the switch (28 Fig.17), positioned on the ergonomic handle (10 Fig.17).
Opening the window (29 Fig.17) lowers the suction force.

**For the 24 V device, PLEASE NOTE:**

For a greater autonomy of the battery you must stop the power supply during transfers.

Shutdown of the unit

- Press the switch (27 Fig.16) to turn off the device (switch off the lamp, 230V model only).
- Remove the plug (26 Fig.15) from the outlet (230 V model only).

Charging the battery

If during use the devices switches off, it is necessary to recharge the batteries, acting as follows:

- Check if the switch (27 Fig.16) is on position "0".

**NOTE:**

You cannot charge the batteries while the device is on; there is a safety device which stops automatically the machine if you connect the charger to the battery.

**NOTE:**

You can charge the batteries even though they aren't fully discharged without affecting the battery life.

- It is possible to connect directly the cable (13 Fig. 18) on the battery pack (14 Fig. 18) still mounted on the unit, or remove the battery pack (14 Fig. 19) by moving the safety lever (6 Fig.13), pressing the release button (30 Fig. 19) and lifting the battery pack (14 Fig. 19) and then remove it towards outside.
- Connect the charger as described in the section "First battery charge".
- After charging the batteries, put them back as described above.

**NOTE:**

Do not store the device after use, with the battery discharged. If necessary, recharge the battery.

For long storage periods of the device and battery, periodically check the battery charge status (15/30 days).

CLEANING AND MAINTENANCE**DANGER:**

Before performing any maintenance work, remove the plug from the wall outlet or battery pack, depending on the model.

Removal and replacement dust collector filter fleece

- Release the lever (1 Fig.1) and remove the cover (2 Fig.2) completely, along with the fleece filter bag (3 Fig.2).
- Remove the fleece filter bag (3 Fig.2) the dust collector from the cover (2 Fig.2), pick up the tab (31 Fig.20) and fold it into the hole (32 Fig.20), fitting it on the rubber edge, then throw it.
- Replace the fleece filter bag and reassemble in the reverse order of removal.

Control and cleaning of the cloth filter

- Release the lever (1 Fig.1) and remove the cover (2 Fig.2) along with the paper bag (3 Fig.2).
- Remove the cloth dust bag (4 Fig. 3) and clean away the dust.

**NOTE:**

The fabric filter (4 Fig. 3) can be washed with warm water and detergent taking into account that before re-use must be thoroughly



NOTE:

The fabric filter (4 Fig. 3) can be washed with warm water and detergent taking into account that before re-use must be thoroughly dry.

- Reassemble everything in the reverse order of removal.

Checking and cleaning of the filter cartridge

- Release the lever (1 Fig.1), remove the cover (2 Fig.2), the filter bag (3 Fig.2) and the filter fabric (4 Fig. 3).
- Remove the filter (5 Fig.21) from the unit.
- Clean the filter on the inside with a jet of air; if it's too dirty, it must be replaced.
- Reassemble everything in the reverse order of removal.

Verification and cleaning of the safety filter

- Release the lever (1 Fig.1), remove the cover (2 Fig.2), the filter bag (3 Fig.2) the fabric filter (4 Fig. 3) and the filter cartridge (5 Fig. 21).
- Remove the filter (33 Fig.23) and clean it with running water.



WARNING:

- **Ensure that the filter (33 Fig.23) is completely dry before replacing.**
- Reassemble everything in the reverse order of removal.

Cleaning of the shoulder straps and hip belt

- Wipe the shoulder straps (21 Fig.14) and belt (23 Fig.14) with a damp cloth with water or mild detergent.

Cleaning of the unit body

- Clean the body of the appliance using a damp cloth with water or mild detergent.



DANGER:

Do not wash the unit with water jets.

Cleaning of electrical contacts

For battery powered devices check the contacts if are dirty (19 Fig. 12); eventually they will be cleaned with a suitable degreaser detergent.

SPARE PARTS

Cloth Filter	Cod. 6588010
Hepa Cartridge filter	Cod. 6588035
Pack of 10 fleece filter bag	Cod. 2512749

Battery

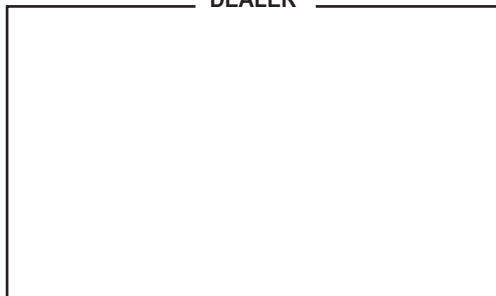
Battery 24VDC 280Wh	Cod. RIC.7589041
Battery 24VDC 140Wh	Cod. RIC.7589035

Charger

Charger 10A EXP	Cod. 7501194
Charger 3A	Cod. 7501181
Charger Lithium 10A UK	Cod. 22.0653.00

PROBLEM	CAUSE	SOLUTION
Vacuum cleaner does not work (for 230V model).	Switch is not pressed. Device is not plugged in. Lack of electricity.	Press the switch. Insert the plug into the socket. Check power line.
Vacuum cleaner does not work (for 24V model).	Discharged battery. The battery is not inserted correctly. Battery exhausted. Charger not working.	Recharge the battery. Check of battery is inserted correctly. Replace the battery. The charger must be checked by a specialist.
The intake is not satisfactory (for 230V model and 24V model).	Paper bag is full. Filter elements are blocked. Accessories or hoses blocked.	Replace dust collection bag. Clean the filter elements. Check and clean the hose and nozzle.
The intake is not satisfactory (for 24V model).	Discharged battery.	Recharge the battery.
The device turns off during operation (for 24V model).	Discharged battery.	Recharge the battery.

DEALER



Cod. 8050823 - 8ª ed. - 04/2022

GHIBLI & WIRBEL S.p.A.

Registered office:

Via Enrico Fermi, 43 - 37136 Verona (VR) - Italy

Headquarters:

Via Circonvallazione, 5 - 27020 Dorno (PV) - Italy

P. +39.0382.848811 - F. +39.0382.84668 - M. info@ghibliwirbel.com

www.ghibliwirbel.com

100% MADE IN ITALY



ISO 9001

