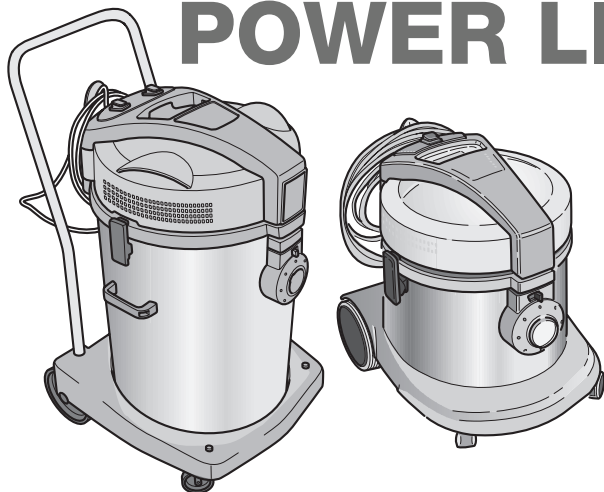


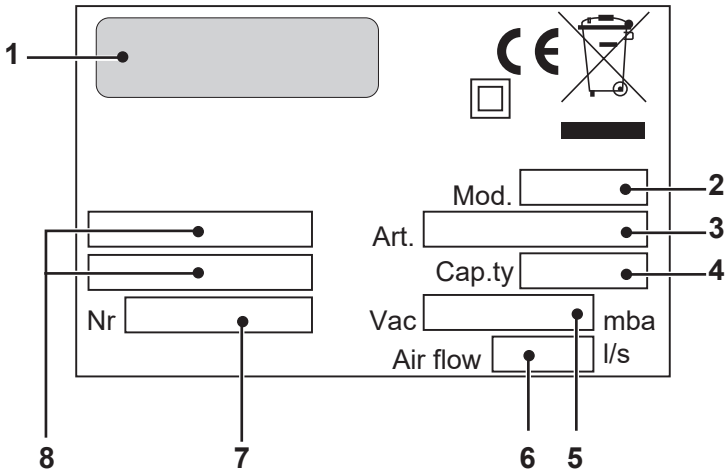
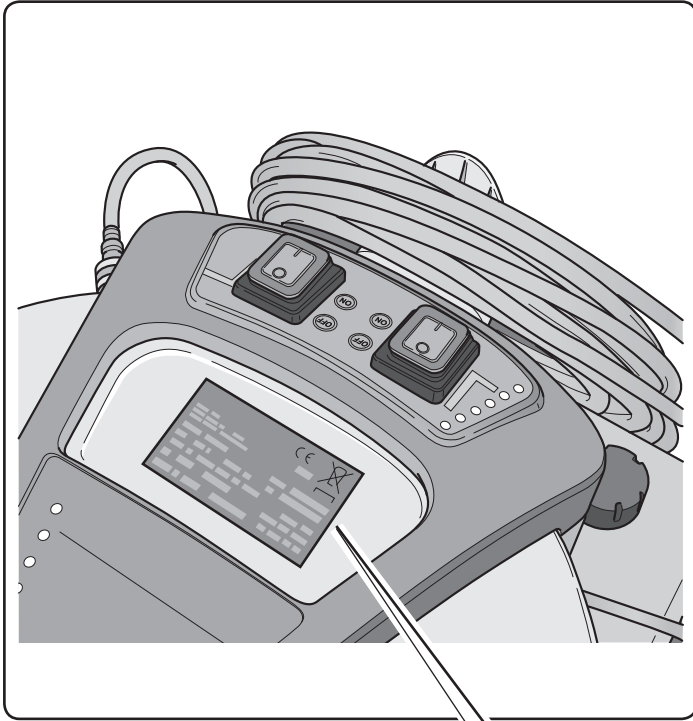
# POWER LINE



**EN Use and Maintenance**

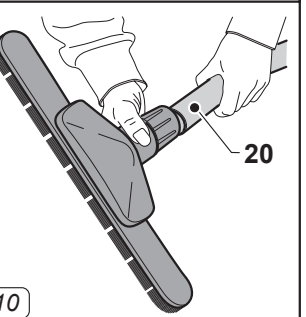
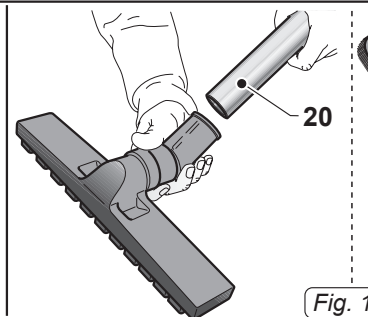
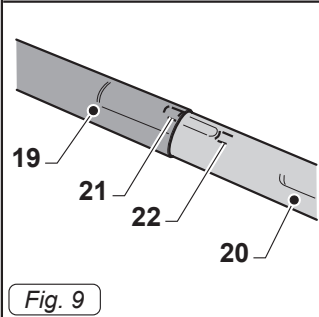
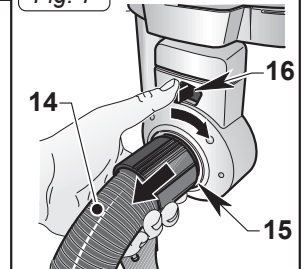
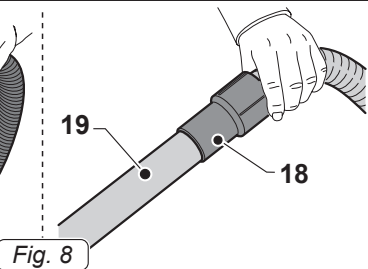
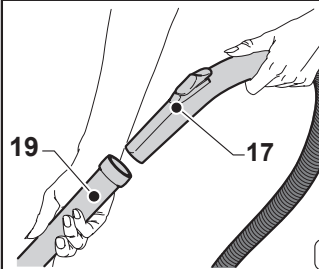
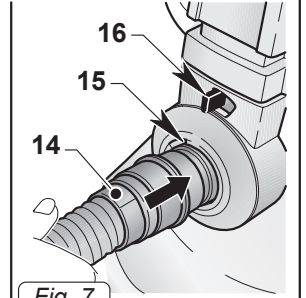
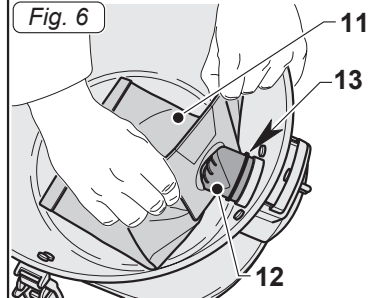
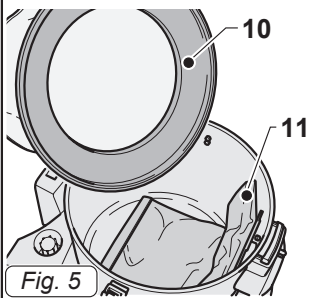
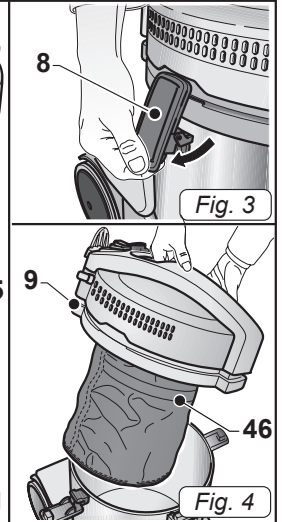
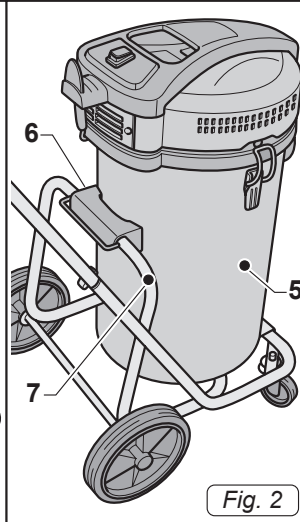
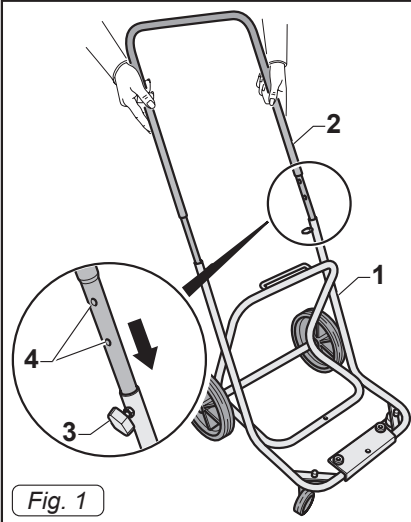
**CE**

8050817  
ed. 03/2022



	1	2	3	4
IT	Produttore	Modello	Articolo	Capacità fusto
EN	Manufacturer	Model	Article	Container capacity
FR	Producteur	Modèle	Article	Capacité de la cuve
DE	Hersteller	Modell	Artikel	Fassungsvermögen des Körpers
ES	Fabricante	Modelo	Artículo	Capacidad del bidón
PT	Produtor	Modelo	Artigo	Capacidade do reservatório
NL	Producent	Model	Artikel	Inhoud reservoir
CS	Výrobce	Model	Typ	Obsah nádoby
RU	Изготовитель	Модель	Артикул	Емкость бака
AR	الصانع	الطرز	النوع	سعة الخزان

	5	6	7	8
IT	Capacità aspirazione	Portata d'aria	N° Matricola	Caratteristiche elettriche
EN	Vacuum	Air flow	Serial N°	Electrical characteristics
FR	Capacité d'aspiration	Débit d'air	N° Matricule	Caractéristiques électriques
DE	Ansaugleistung	Luftdurchsatz	Matrikelnr.	Elektrische Eigenschaften
ES	Capacidad de aspiración	Caudal de aire	N° Matricola	Características eléctricas
PT	Capacidade de aspiração	Caudal de ar	Número de série	Características elétricas
NL	Zuigcapaciteit	Luchtdebiet	Serienummer	Elektrische eigenschappen
CS	Sací výkon	Množství dopravovaného vzduchu	Výrobní č.	Elektrické údaje
RU	Мощность всасывания	Расход воздуха	Заводской №	Электрические характеристики
AR	قدرة الشفط	تدفق الهواء	الرقم التسلسلي	المواصفات الكهربائية



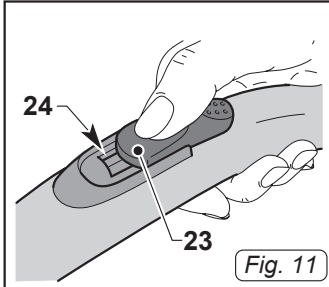


Fig. 11

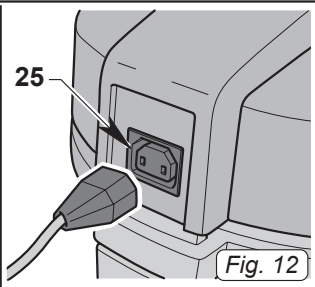


Fig. 12

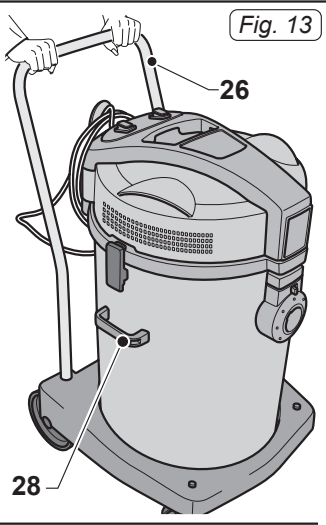


Fig. 13

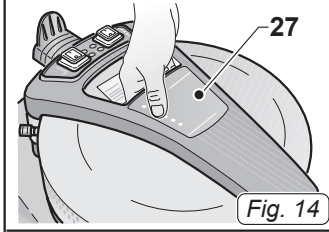


Fig. 14

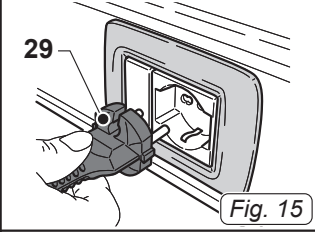


Fig. 15

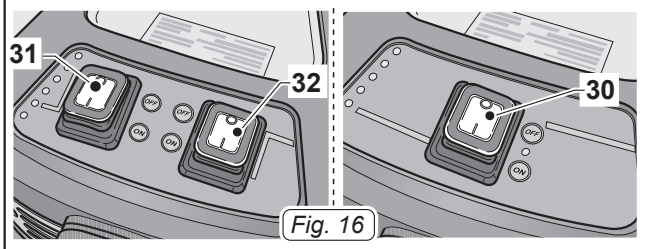


Fig. 16

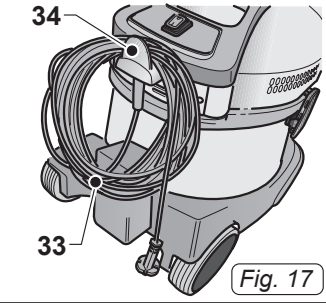


Fig. 17

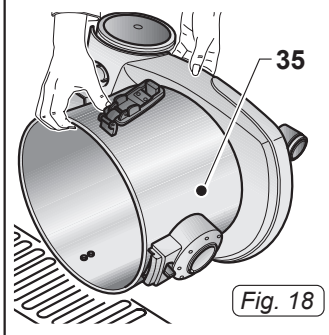


Fig. 18

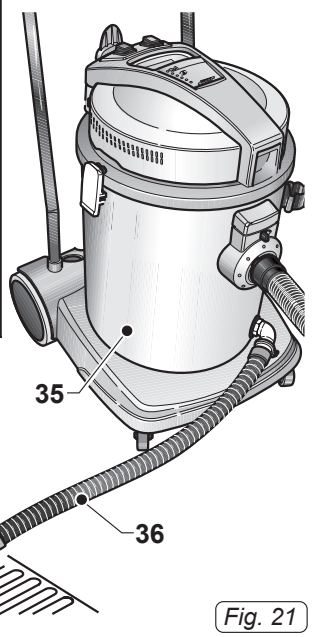


Fig. 21

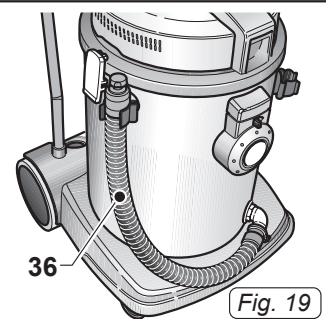


Fig. 19

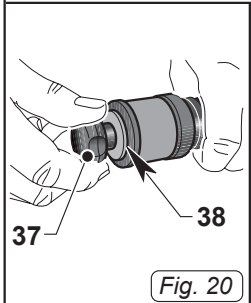


Fig. 20

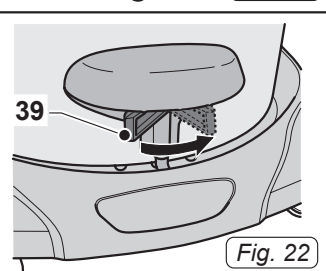


Fig. 22

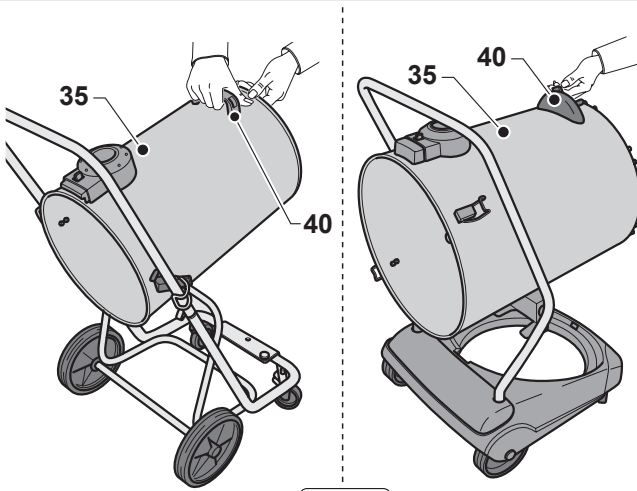


Fig. 23

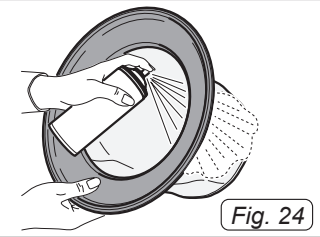


Fig. 24

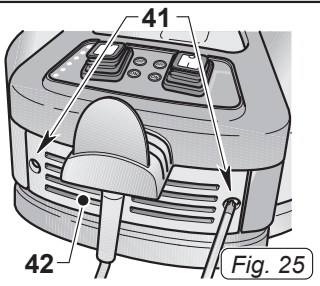


Fig. 25

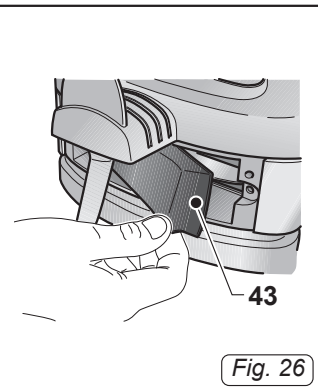


Fig. 26

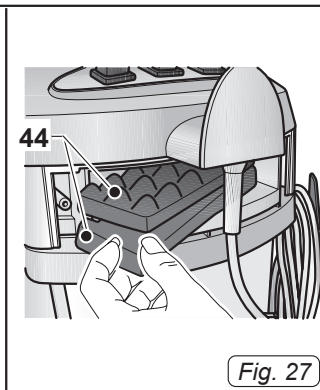


Fig. 27

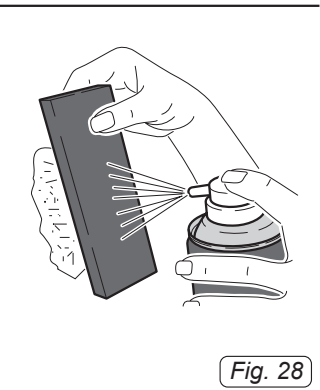


Fig. 28

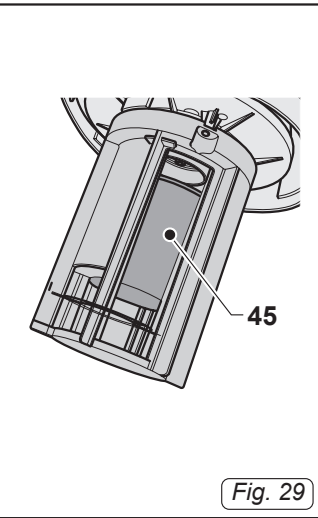


Fig. 29

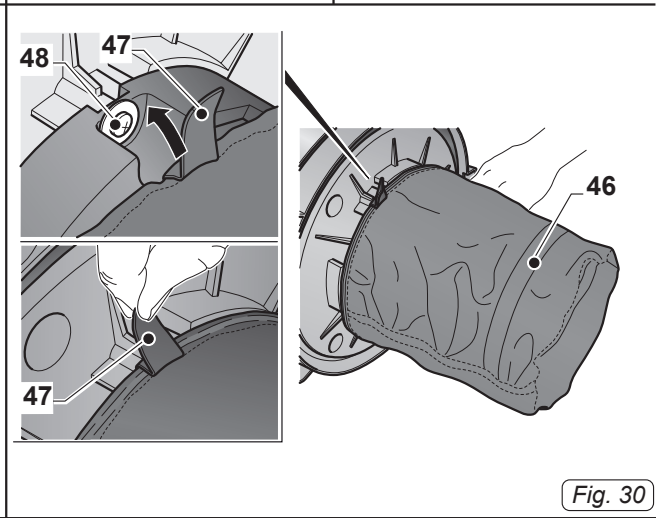


Fig. 30









English ..... ENGLISH - 1  
(Translation of original instructions)



## TYPE OF USE

These devices were designed to vacuum liquids or solids or both, according to the technical data table from the introduction to this manual. They were designed only for this use.



### **DANGER:**

**The manufacturer can not be held responsible for any damage due to improper or incorrect use.**

**Any other use releases the manufacturer from liability for harm to persons and/or property and invalidates any warranty condition.**

## IMPROPER USE

Do not use the appliance to:

- Aspirate flammable, explosive, corrosive and toxic substances.
- Aspirate hot substances.
- Do not use the appliance in liquid suction mode to suction powder and vice versa.

Do not use the appliance in areas at risk of explosion.

## PREPARING THE APPLIANCE

### **Trolley installation**

**(for models equipped with detachable trolley)**

- Place the trolley on the ground (1 Fig.1)
- Insert the handle (2 Fig.1) in the trolley.
- It is possible to adjust the handle's height, positioning it and tightening the fixing button (3 Fig.1) in one of the two positions (4 Fig.1).
- Place the cover (5 Fig.2) on the trolley, setting the support in the plastic (6 Fig.2) on the trolley's rod (7 Fig.2).

## Vacuum cleaner

For appliances equipped with suitable accessories.

- Release the levers (8 Fig.3) and remove the cover (9 Fig.4) complete with the motor unit.
- Check for a filter in Nylon (46 Fig. 4).
- Remove the polyester filter (10 Fig.5).
- Check, if applicable, that inside the device to be set the paper bag (11 Fig.5).
- If the paper bag (11 Fig.5) is not there, install it, if necessary, acting as follows: Install the paper bag (11 Fig.6) in the nozzle (12 Fig.6) until it passes the banding (13 Fig.6)
- Reassemble the polyester filter (10 Fig.5).
- Place the cover back on (8 Fig.3) and lock it using the levers.
- Insert, as far as possible, the sleeve (14 Fig.7) of the suction hose into the nozzle (15 Fig.7) on the drum.
- To release the sleeve (14 Fig.7) turn the lever (16 Fig.7) clockwise and then pull the sleeve outwards (14 Fig.7).
- Connect the ergonomic handle (17 Fig.8) or the hose (18 Fig.8) depending on the model, with the extension (19 Fig.8).
- Connect the two rigid extensions (19-20 Fig.9) by aligning the two reference points (21-22 Fig.9).
- Attach to the rigid extension (20 Fig.10) the desired accessory ( the vacuum nozzle, the dust brush, the accessory for tight spaces, the floor nozzle etc..



### **NOTES:**

For models equipped with ergonomic handle is possible to adjust the suction force, by acting the selector (23 Fig.11).

By opening the window (24 Fig.11) you get a lower suction force.

## Connecting the electrical brush

For devices with socket:

- Connect the electrical brush's plug to the socket (25 Fig.12) located on the top of the vacuum (maximum output 200 W)

## Liquid suction

For appliances equipped with suitable accessories.

- Release the levers (8 Fig.3) and remove the cover (9 Fig.4) complete with the motor unit.
- Check for a filter in Nylon (46 Fig. 4).
- Remove the polyester filter (10 Fig.5) if present.
- Remove the paper bag (11 Fig.5) if present.
- Place the cover back on and lock it using the levers (8 Fig.3).
- Insert, as far as possible, the sleeve (14 Fig.7) of the suction hose into the nozzle (15 Fig.7) on the drum.
- To release the sleeve (14 Fig.7) turn the lever (16 Fig.7) clockwise and then pull the sleeve outwards (14 Fig.7).
- Merge the ergonomic handle (17 Fig.8) or hose (18 Fig.8) depending on the model, with the extension (19 Fig.8).
- Connect the two rigid extensions (19-20 Fig.9) by aligning the two reference points (21-22 Fig.9).
- Mount on the rigid extension (20 Fig.10) the desired accessory,( vacuum nozzle, floor nozzle etc..)



### NOTES:

*For models equipped with ergonomic handle it is possible to adjust the suction force acting the nut (23 Fig.11).*

*By opening the little window (24 Fig.11) you get a lower suction force.*

## USING THE APPLICANCE

- The device is equipped with wheels and thus can be moved with the proper handles, or it can be pushed with the help of the handle (26 Fig.13)
- To lift it up insert your fingers under the dedicated handle (27 Fig.14) on the top of the cover of the single version motor or lift with the help of two people using the handles (28 Fig.13)

## Starting up the appliance

- Insert the plug (29 Fig.15) into the socket.
- Single motor
- Push the switch (30 Fig.16) on "I" to start the suction motor; the switch lights up.

### Double motor

- Depending on the power required it is possible to start only one motor by pressing the switch (31 Fig.16) on "I" or both switches (31 e 32 Fig.16) if a greater suction force is required.

When the switch pressed the corresponding button lights up.



### NOTES:

*When the recovery tank is full, the noise intensity increases and the device can no longer aspire. Then you must switch off the device and empty the tank as described in the relevant paragraphs.*

## Switching off the appliance

- Push the switches (30, 31, 32 Fig.16) to the "0" position to stop the device; the lights, if any on the switches, will go off.
- Remove the plug (29 Fig.15) from the electrical socket.
- Wind up the cable (33 Fig.17) and hook it onto its housing (34 Fig.17).

## CLEANING AND MAINTENANCE



### **DANGER:**

**Before performing any maintenance operation, unplug the appliance from the electrical socket.**

### **Removing and replacing the paper dust collection bag (if present)**

- Release the levers (8 Fig.3) and remove the cover (9 Fig.4) complete with motor.
- Remove the polyester filter (10 Fig.5).
- Remove the paper bag for collecting dust (11 Fig.5), and replace it as described above.
- Reassemble all the parts by following the dismantling process steps in the reverse order.

### **Emptying the recovery tank**

- Release the lever (8 Fig.3) and remove the top (9 Fig.4) along with the engine.
- Place it on the top of a drain and empty the liquid in the recovery tank (35 Fig.18).
- Clean the inside of the tank with running water and then re-install everything doing the opposite of the disassembly.

#### **For machines equipped with drain hose**

- Release the exhaust tube (36 Fig.19) from its base.
- Unscrew the button (37 Fig.20), remove the cap (38 Fig.20) of the exhaust hose (36 Fig.21) and drain the liquid in the recovery tank (35 Fig.21)

#### **For devices with rocking tank**

- Release the lever (8 Fig.3) and remove the top (9 Fig.4) along with the engine.
- Remove the tank locking device by acting the lever (39 Fig.22) if any
- Lift the tank (35 Fig.23) with the appropriate lever (40 Fig.23) until completely emptied.
- Replace everything doing the opposite of the disassembly.

## Daily cleaning

### **Checking and cleaning the polyester filter (if present)**

- Release the levers (8 Fig.3) and remove the cover (9 Fig.4) complete with motor.
- Remove the polyester (4 Fig.5) filter.
- Clean the filter (Fig.24) from the inside out with a blast of air; the filter can be washed (Fig.24) in warm water and must only be replaced once it is completely dry. If it is too dirty, replace it.
- Reassemble all the parts by following the dismantling process steps in the reverse order.

### **Cleaning the appliance**

- Clean the unit body with a cloth dampened with water or a mild detergent.
- Remove the top, as described above and clean the inside with running water and then empty it, as indicated above.  
Replace everything doing the opposite of the disassembly.



### **DANGER:**

**Do not wash the appliance using jets of water.**

## Periodic checks

### **Checking the air outlet filter**

- Loosen the screws (41 Fig.25) and remove the cover (42 Fig.25).
- Remove the foam tank (43 Fig.26) and the texture sponges (44 Fig.27) if any.
- Clean the sponges with a blast of air (Fig.28).  
The filter sponges can be washed in warm water and must only be replaced once they are completely dry; if too dirty, replace them with new ones.
- Reassemble all the parts by following the dismantling process steps in the reverse order.

### Checking and cleaning the motor protection filter

- Remove the cylinder head as previously indicated.
- Remove the filter (46 Fig. 30)
- Wash the filter (46 Fig. 30) with warm running water removing all foreign particles and reassemble only after a thorough drying.
- Insert the filter (46 Fig. 30) on the motor hood then through the straps (47 Fig. 30) hooking the elastic part on the top of the filter with washers (48 Fig. 30).
- Reassemble in reverse order.

### Checking the floater

- Remove the top as shown above.
- Remove the filter (46 Fig. 30).
- Check If the floater (45) is In good condition and if it moves freely in its space.
- Replace the filter (46 Fig. 30) as described in the relevant section.

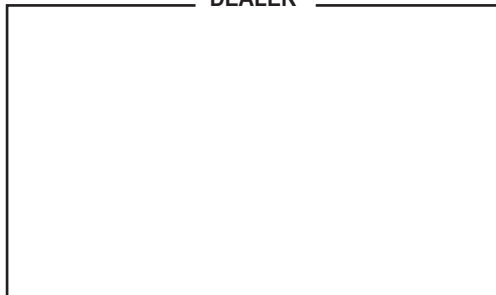
<b>PROBLEM</b>	<b>CAUSE</b>	<b>SOLUTION</b>
The vacuum cleaner does not work.	Switch not pressed.	Press the switch.
	Plug not inserted.	Insert the plug into the socket.
	No current.	Check the power supply line.
Suction is not satisfactory.	Paper bag full.	Replace the dust bag.
	Filter elements clogged.	Clean the filter elements.
	Accessories or tubes clogged.	Check and clean the flexible hose and the suction nozzle.
	Suction nozzle squeegee worn or damaged.	Check and replace the squeegee.



# ghibli & wirbel

Professional Cleaning Machines Since 1968

DEALER



Cod. i € € Fì - I<sup>o</sup> ed. - 03/2022

## GHIBLI & WIRBEL S.p.A.

Registered office:

Via Enrico Fermi, 43 - 37136 Verona (VR) - Italy

Headquarters:

Via Circonvallazione, 5 - 27020 Dorno (PV) - Italy

P. +39.0382.848811 - F. +39.0382.84668 - M. info@ghibliwirbel.com

[www.ghibliwirbel.com](http://www.ghibliwirbel.com)

100% MADE IN ITALY



ISO 9001

