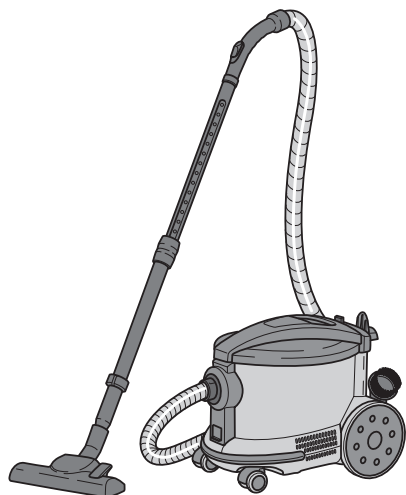


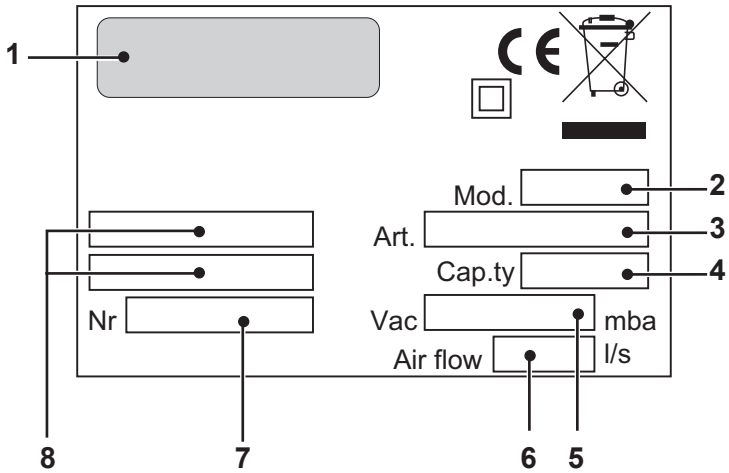
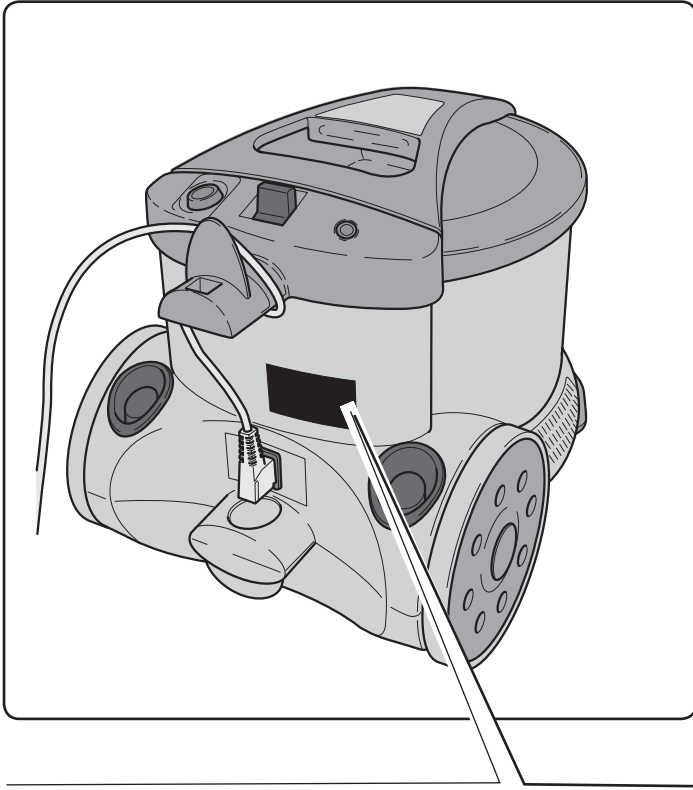
# POWER D 12 POWER D 12 HE



**EN Use and Maintenance**



8050816  
ed. 04/2022



|    | 1            | 2       | 3        | 4                            |
|----|--------------|---------|----------|------------------------------|
| IT | Produttore   | Modello | Articolo | Capacità fusto               |
| EN | Manufacturer | Model   | Article  | Container capacity           |
| FR | Producteur   | Modèle  | Article  | Capacité de la cuve          |
| DE | Hersteller   | Modell  | Artikel  | Fassungsvermögen des Körpers |
| ES | Fabricante   | Modelo  | Artículo | Capacidad del bidón          |
| PT | Produtor     | Modelo  | Artigo   | Capacidade do reservatório   |
| NL | Producent    | Model   | Artikel  | Inhoud reservoir             |
| CS | Výrobce      | Model   | Typ      | Obsah nádoby                 |
| RU | Изготовитель | Модель  | Артикул  | Емкость бака                 |
| AR | الصانع       | الطرز   | النوع    | سعة الخزان                   |

|    | 5                       | 6                              | 7               | 8                            |
|----|-------------------------|--------------------------------|-----------------|------------------------------|
| IT | Capacità aspirazione    | Portata d'aria                 | N° Matricola    | Caratteristiche elettriche   |
| EN | Vacuum                  | Air flow                       | Serial N°       | Electrical characteristics   |
| FR | Capacité d'aspiration   | Débit d'air                    | N° Matricule    | Caractéristiques électriques |
| DE | Ansaugleistung          | Luftdurchsatz                  | Matrikelnr.     | Elektrische Eigenschaften    |
| ES | Capacidad de aspiración | Caudal de aire                 | N° Matricola    | Características eléctricas   |
| PT | Capacidade de aspiração | Caudal de ar                   | Número de série | Características elétricas    |
| NL | Zuigcapaciteit          | Luchtdebiet                    | Serienummer     | Elektrische eigenschappen    |
| CS | Sací výkon              | Množství dopravovaného vzduchu | Výrobní č.      | Elektrické údaje             |
| RU | Мощность всасывания     | Расход воздуха                 | Заводской №     | Электрические характеристики |
| AR | قدرة الشفط              | تدفق الهواء                    | الرقم التسلسلي  | المواصفات الكهربائية         |

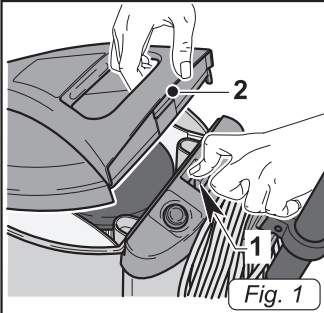


Fig. 1

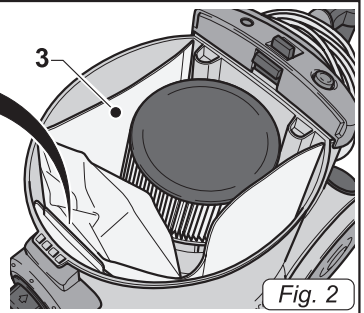
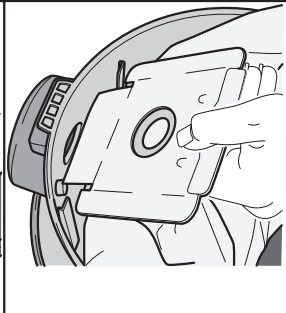


Fig. 2

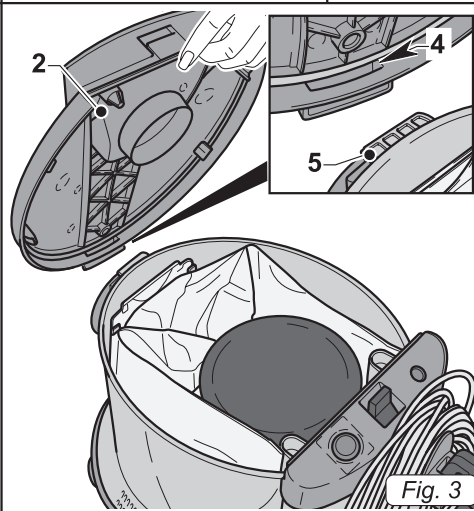


Fig. 3

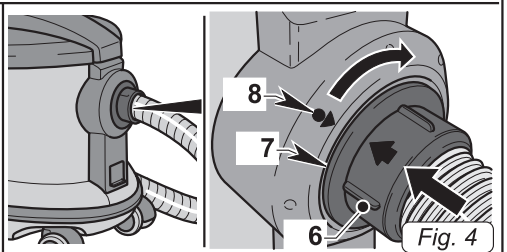


Fig. 4

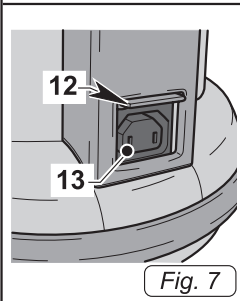


Fig. 7

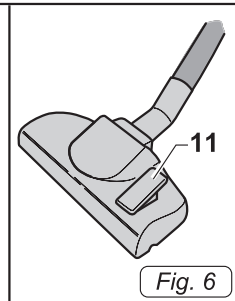


Fig. 6

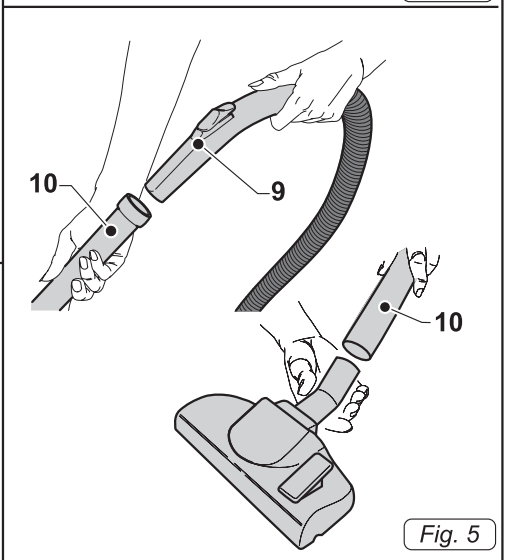


Fig. 5

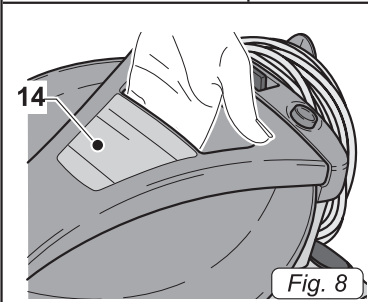


Fig. 8

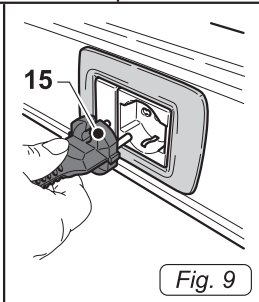


Fig. 9

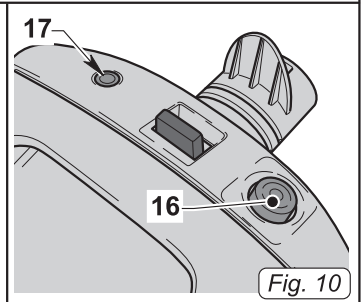
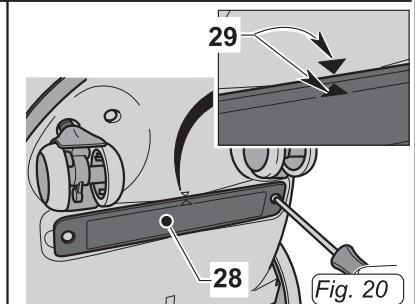
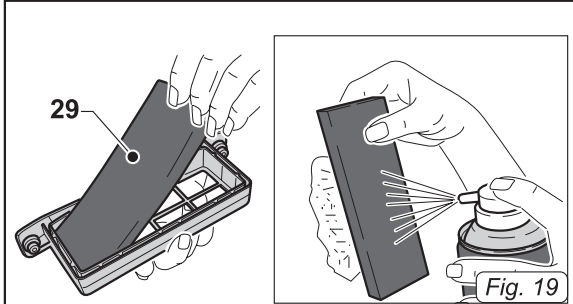
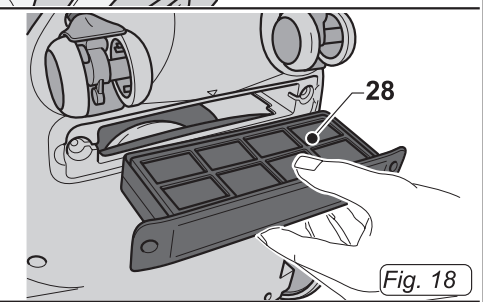
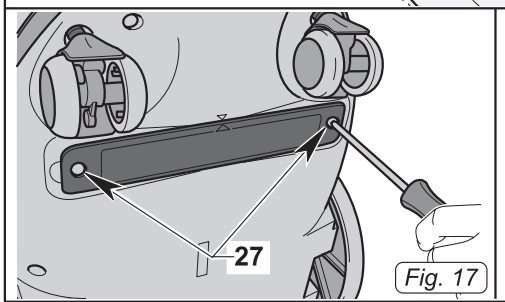
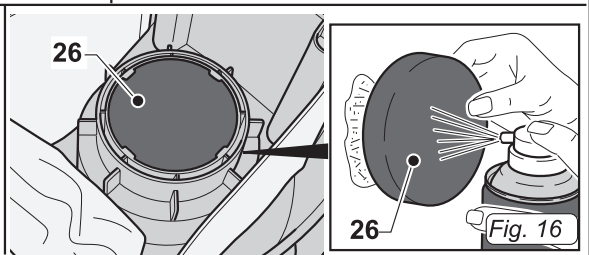
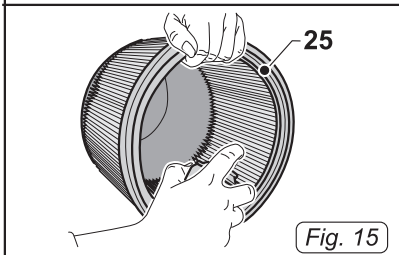
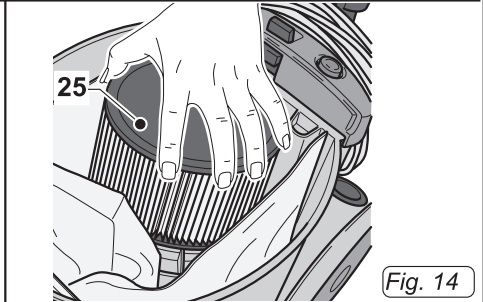
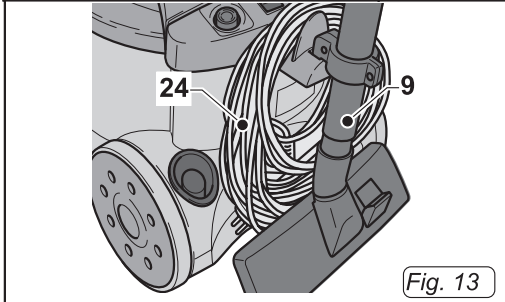
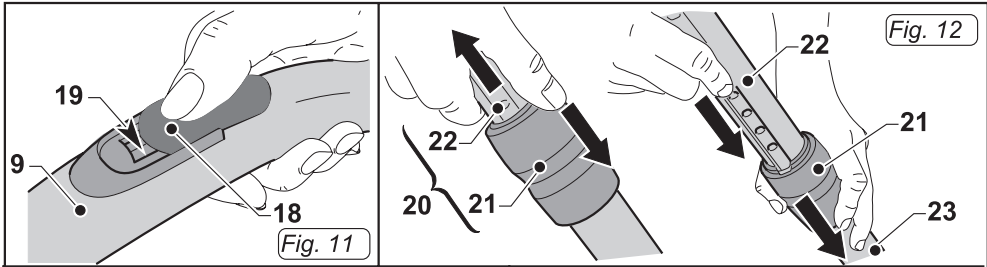




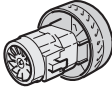
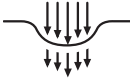
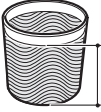
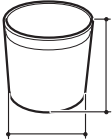
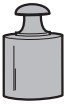



Fig. 10



|   | D 12.1 HE          | D 12.1             |
|---|--------------------|--------------------|
|    | ■                  | ■                  |
|    |                    |                    |
|    | 220 - 240 V~       |                    |
|    | 65 dbA             | 59 dbA             |
|    | 650 W              | 900 W              |
|    | 215 mbar           | 250 mbar           |
|   | 12 l               | 12 l               |
|  | 350 x 450 x 375 mm | 350 x 450 x 375 mm |
|  | 7 kg               | 7 kg               |
|  | 32 mm              | 32 mm / 36 mm      |



English ..... ENGLISH - 1  
*(Translation of original instructions)*





## INTRODUCTION



### **DANGER:**

Before using the appliance please read the booklet “**SAFETY INSTRUCTIONS FOR FANS**” attached to this.

This manual forms an integral part of the machine itself. It must therefore be kept in a safe place where it is accessible to all users (operators and maintenance personnel) throughout the life of the machine until it is scrapped.

## TYPE OF USE

Use this appliance only as a dry vacuum cleaner to suck up dust, crumbs etc. It has only been designed for this use.



### **DANGER:**

**The manufacturer can not be held responsible for any damage due to improper or incorrect use.**

**Any other use releases the manufacturer from liability for harm to persons and/or property and invalidates any warranty condition.**

## IMPROPER USE

Do not use the appliance to:

- Suck up liquids of any kind;
- Suck up flammable, explosive, corrosive and/or toxic substances.
- Suck up hot substances.

Do not use the appliance in areas at risk of explosion.

## PREPARING THE APPLIANCE

### **Checking the filter systems**

- Move the lever (1 Fig. 1) and remove the cover (2 Fig. 1).
- Check that the paper bag (3 Fig. 2) is assembled inside the appliance.
- If the paper bag (3 Fig. 2) is not present, assemble it by inserting the square cardboard stiffener into the slot on the drum.
- Replace the cover (2 Fig. 3), inserting the slot (4 Fig. 3) on the cover in the tab (5 Fig. 4) on the drum, then push it down until you hear it click into place.

### **Assembling the piping**

- Insert the sleeve with bayonet coupling (6 Fig. 4) into the hole (7 Fig. 4) on the drum, ensuring the arrow on the sleeve (6 Fig. 4) coincides with the arrow (8 Fig. 4) on the coupling ring nut, then turn the sleeve clockwise until it locks.
- Attach the hose extension (10 Fig. 5) to the ergonomic handle (9 Fig. 5).
- Attach the required accessory (suction tool, dusting brush, crevice tool, multi-purpose brush etc.) to the extension (10 Fig. 6).
- There are slots on the back of the appliance for positioning rigid extensions or accessories.

### **Multi-purpose brush**

The multi-purpose brush should be used as follows:

- To clean hard floors, parquet etc.: press the lever (11 Fig. 6) back to extract the brush bristles.
- To vacuum on carpets, rugs etc.: press the lever (11 Fig. 6) forwards to retract the brush bristles.

## Auxiliary power brush connection

The appliance is equipped with an auxiliary power brush connection (optional).

- Lift the flap (12 Fig. 7) to access the connection (13 Fig. 7).

## USING THE APPLIANCE



**N.B.**

The appliance can only be used if the paper bag is inserted correctly.

- The appliance is equipped with wheels and during use can be dragged along using the hose.
- To lift it up, insert your fingers into the handle (14 Fig. 8) on the top of the cover.

## Switching on the appliance

- Insert the plug (15 Fig. 9) into the socket.
- Press the switch (16 Fig. 10), which lights up, to switch the appliance on.
- When the light (17 Fig. 10) comes on, this indicates that the paper bag is full and must be replaced.



**N.B.**

The suction force can be adjusted using the selector (18 Fig. 11) located on the ergonomic handle (9 Fig. 11).

Opening up the window (19 Fig. 11) gives lower suction power.

## Using the telescopic tube (if present)

- The length of the telescopic tube (20 Fig. 12) can be adjusted as follows:
- To lengthen the tube, press down on the ring nut (21 Fig. 12) and simultaneously extract the top part (22 Fig. 12) of the tube. Once the required length has been obtained, release the ring nut (21 Fig. 12) the tube will lock into the nearest locking position;

- To shorten the telescopic tube, use one hand to push the ring nut (21 Fig. 12) down and the other to reinsert the top tube (22 Fig. 12) into the lower sleeve (23 Fig. 12).

## Switching off the appliance

- Press the switch (16 Fig. 10) to switch off the appliance.
- Remove the plug (15 Fig. 9) from the socket.
- Wind up the cable (24 Fig. 13) and hook it in position then couple the tube (9 Fig. 13) to the joint.

## CLEANING AND MAINTENANCE



### **DANGER:**

**Before performing any maintenance, unplug the appliance from the mains.**

### **Removing and replacing the paper dust bag**

- Move the lever (1 Fig. 1) and remove the cover (2 Fig. 1).
- Remove the suction hose by turning the sleeve (6 Fig. 4) in an anti-clockwise direction.
- Remove the paper dust bag (3 Fig. 2) and replace it as described previously.
- Reassemble everything proceeding in reverse order compared to assembly.

### **Checking and cleaning the cartridge filter**

- The filter cartridge (25 Fig. 14) is pressed into a special support. In order to remove it, it must be lifted up.
- Clean the filter (25 Fig. 15) from the inside out with a blast of air. If there is too much dirt, it must be replaced.
- Reassemble everything proceeding in reverse order compared to assembly.

### **Checking and cleaning the safety filter**

- Remove the filter cartridge (25 Fig. 14) then remove the filter (26 Fig. 16) and clean it with a blast of air.  
The filter can be washed in warm water and must only be replaced once it is completely dry. If it is too dirty, replace it.

### **Checking the air outlet filter**

- Turn the dry vacuum cleaner upside down, then unscrew the screws (27 Fig. 17) and remove the filter (28 Fig. 18).
- Remove the filter sponge (29 Fig. 19) from the frame and clean it with a blast of air.  
The filter sponge can be washed in warm water and must only be replaced once it is completely dry. If it is too dirty, replace it.
- Reassemble everything proceeding in reverse order compared to disassembly, positioning the filter (28 Fig. 20) correctly, ensuring the two arrows coincide (29 Fig. 20).

### **Cleaning the appliance body**

- Clean the appliance body using a cloth dampened with water or mild detergent.



### **DANGER:**

**Do not wash the appliance using jets of water.**

## SPARE PARTS

Pack of 10 paper filter bags.. Code 6582030  
Cartridge filter ..... Code 2512750  
HEPA filter ..... Code 2512755

| <b>PROBLEM</b>                                     | <b>CAUSE</b>                  | <b>SOLUTION</b>                                |
|--|-------------------------------|--|
| The vacuum cleaner does not work.                  | Switch not pressed.           | Press the switch.                              |
|  | Not plugged in.               | Insert the plug into the socket.               |
|  | No current.                   | Check the power line.                          |
| Suction is not satisfactory.<br>(Orange light on). | Paper bag full.               | Replace the dust bag.                          |
|  | Filter elements clogged.      | Clean the filter elements.                     |
|  | Accessories or tubes clogged. | Check and clean the hose and the suction tool. |







DEALER



Cod. ì € ì Fì - I ^ ed. - € / 2022

## GHIBLI & WIRBEL S.p.A.

Registered office:

Via Enrico Fermi, 43 - 37136 Verona (VR) - Italy

Headquarters:

Via Circonvallazione, 5 - 27020 Dorno (PV) - Italy

P. +39.0382.848811 - F. +39.0382.84668 - M. info@ghibliwirbel.com

[www.ghibliwirbel.com](http://www.ghibliwirbel.com)

100% MADE IN ITALY



ISO 9001

