

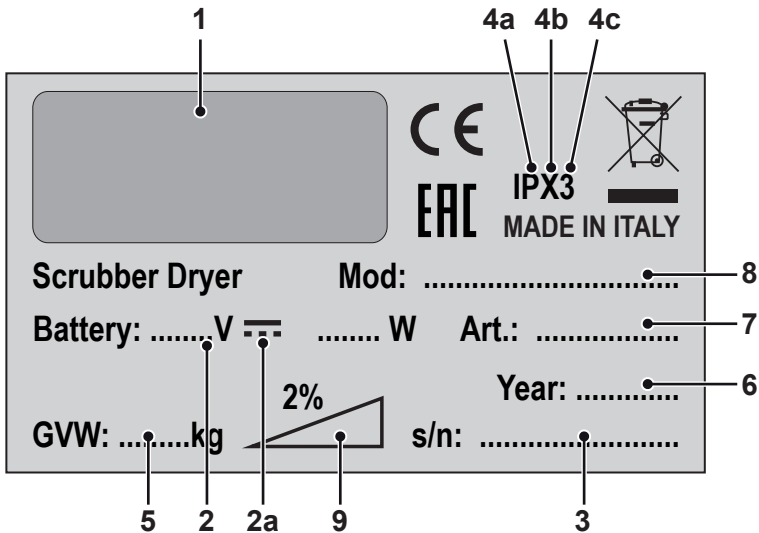
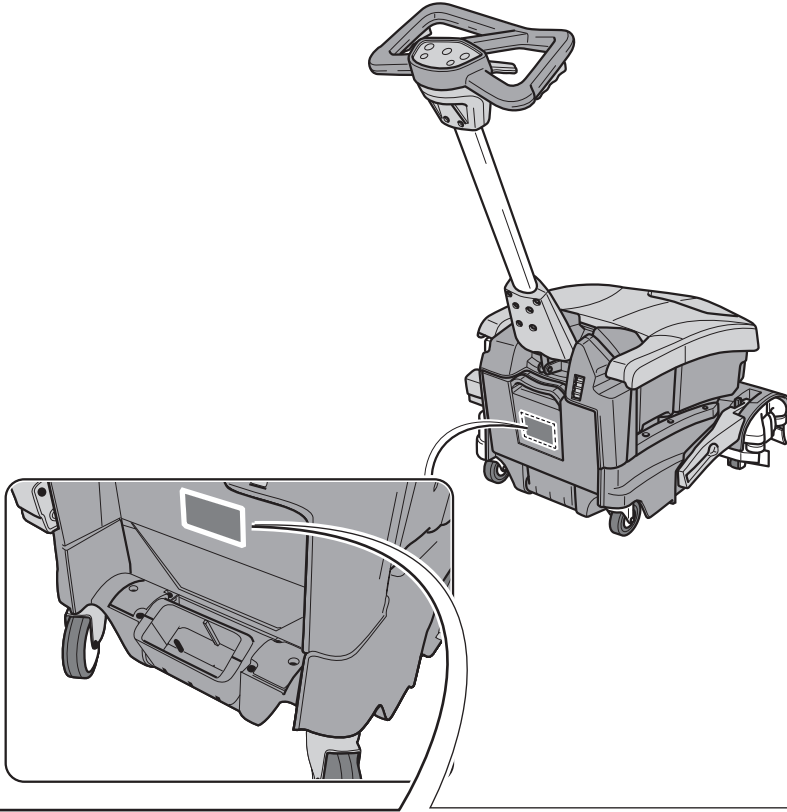
ROLLY NRG 7½ E33
ROLLY NRG 7½ M33
ROLLY NRG 11 E33
ROLLY NRG 11 M33



EN Use and Maintenance

CE

49.0278.00
ed. 07/2022



	1	2	2a	3	4a	4b
IT	Produttore	Caratteristiche elettriche	Corrente continua	N° Matricolare	Grado di protezione	Nessuna protezione alla polvere
EN	Manufacturer	Electrical characteristics	Direct current	Serial N°	Degree of protection	No dust protection
FR	Producteur	Caractéristiques électriques	Courant continu	N° Matricule	Degré de protection	Aucune protection contre la poussière
DE	Hersteller	Elektrische Eigenschaften	Gleichstrom	Serien-Nr.	Schutzgrad	Kein Staubschutz
ES	Fabricante	Características eléctricas	Corriente continua	N° Matricula	Grado de protección	Ninguna protección contra el polvo
PT	Produtor	Características eléctricas	Corrente continua	Número de série	Grau de protecção	Nenhuma protecção contra poeira
NL	Producent	Elektrische eigenschappen	Gelijkstroom	Seriennummer	Beschermingsgraad	Geen stofbescherming
CS	Výrobce	Elektrické údaje	Stojnosměrný proud	Výrobní č.	Stupeň ochrany	Žádná ochrana před prachem
RU	Изготовитель	Электрические характеристики	Непрерывный ток	Заводской №	тепень защиты	Отсутствует защиты от пыли
PL	Producent	Charakterystyka elektryczna	Prąd ciągły	Nr. identyfikacyjny	Stopień ochrony	Brak ochrony przeciwpyłowej
AR	الصانع	المواصفات الكهربائية	تيار مستمر	الرقم التسلسلي	درجة الحماية	لا توجد حماية من الغبار
SV	Tillverkare	Elektriska egenskaper	Likström	Seriennummer	Skyddsgrad	Inget dammskydd
FI	Valmistaja	Sähköiset ominaisuudet	Tasavirta	Sarjanro	Suoja-aste	Ei pollysuojausta
DK	Fabrikanten	Elektriske specifikationer	Jævnstrøm	Serienr.	Beskyttelsesgrad	Ingen støvbeskyttelse

	4c	5	6	7	8	9
IT	Grado di protezione dall'acqua	Peso in ordine di marcia	Anno di costruzione	Codice articolo	Modello	Massima pendenza superabile
EN	Level of protection from water	Weight in running order	Year of manufacture	Item code	Model	Maximum negotiable slope
FR	Degré de protection contre l'eau	Poids en ordre de marche	Année de construction	Référence de l'article	Modèle	Pente maximum surmontable
DE	Schutzgrad gegen Wasser	Gewicht bei Betrieb	Baujahr	Artikelnummer	Modell	Maximal befahrbare Steigung
ES	Grado de protección contra el agua	Peso en orden de marcha	Año de fabricación	Código del artículo	Modelo	Máxima pendiente que se puede superar
PT	Grau de protecção da água	Peso em ordem de marcha	Ano de construção	Código do artigo	Modelo	Máximo declive transponível
NL	Waterbeschermingsklasse	Gewicht in rijklare toestand	Bouwjaar	Artikelcode	Model	Maximaal berijdbare hellingsgraad
CS	Úroveň ochrany před vodou	Hmotnost v provozním stavu	Rok výroby	Kód položky	Model	Maximální překonatelný sklon
RU	Степень защиты от воды	Эксплуатационный вес	Год постройки	Код изделия	Модель	Максимальный преодолимый наклон
PL	Stopień ochrony przed wilgocią wady	Masa w stanie gotowości do eksploatacji	Rok produkcji	Kod produktu	Model	Maksymalna zdolność pochYLENIA
AR	مستوى الحماية من الماء	الوزن في وضعية التشغيل	سنة الصنع	رمز المنتج	الطراز	أقصى درجة ميلان قابلة للتخطي
SV	Grad av skydd mot vatten	Vikt under körningen	Tillverkningsår	Artikelnummer	Modell	Maximal lutning som kan överbyggas
FI	Vesitiiviyvaste	Paino käynnin mukaan	Valmistusvuosi	Tuotekoodi	Malli	Ylitettävä enimmäiskallistus
DK	Forbeskyttelsesgrad mod vand	Vægt i køreklar stand	Fremstillingsår	Varekode	Model	Maksimal hældningsevne

MODELLO - MODEL MÔDÈLE - MODELL MODELO - MODELO MODEL - MODEL الطراز - الطراز МОДЕЛЬ - МАЛЛИ MODELL - MALLI	CODICE - CODE CODE - KENNR. CÓDIGO - CÓDIGO CODE - KOD الرمز - الرمز KOD - KOODI
---	---

ROLLY NRG 7½ M33	10.5075.01
ROLLY NRG 7½ E33	10.6075.01
ROLLY NRG 7½ M33 BC 280 Wh	13.5075.01
ROLLY NRG 7½ M33 BC 560 Wh	17.5075.01
ROLLY NRG 11 E33	10.6110.01
ROLLY NRG 11 M33	10.5110.01
ROLLY NRG 11 M33 BC 280 Wh	13.5110.01
ROLLY NRG 11 M33 BC 560 Wh	17.5110.01
ROLLY NRG 7½ M33	10.5075.00
ROLLY NRG 7½ E33	10.6075.00
ROLLY NRG 7½ M33 BC 280 Wh	13.5075.00
ROLLY NRG 7½ M33 BC 560 Wh	17.5075.00
ROLLY NRG 11 E33	10.6110.00
ROLLY NRG 11 M33	10.5110.00
ROLLY NRG 11 M33 BC 280 Wh	13.5110.00
ROLLY NRG 11 M33 BC 560 Wh	17.5110.00
ROLLY NRG 7½ M33	10.5075.20
ROLLY NRG 7½ E33	10.6075.20
ROLLY NRG 7½ M33 BC 280 Wh	13.5075.20
ROLLY NRG 7½ M33 BC 560 Wh	17.5075.20

MODELLO - MODEL MÔDÈLE - MODELL MODELO - MODELO MODEL - MODEL الطراز - الطراز МОДЕЛЬ - МАЛЛИ MODELL - MALLI	CODICE - CODE CODE - KENNR. CÓDIGO - CÓDIGO CODE - KOD الرمز - الرمز KOD - KOODI
---	---

ROLLY NRG 7½ M33	10.5075.06
ROLLY NRG 7½ E33	10.6075.06
ROLLY NRG 7½ M33 BC 280 Wh	13.5075.06
ROLLY NRG 7½ M33 BC 560 Wh	17.5075.06
ROLLY NRG 11 E33	10.6110.06
ROLLY NRG 11 M33	10.5110.06
ROLLY NRG 11 M33 BC 280 Wh	13.5110.06
ROLLY NRG 11 M33 BC 560 Wh	17.5110.06
ROLLY NRG 7½ M33	10.5075.10
ROLLY NRG 7½ E33	10.6075.10
ROLLY NRG 7½ M33 BC 280 Wh	13.5075.10
ROLLY NRG 7½ M33 BC 560 Wh	17.5075.10
ROLLY NRG 11 E33	10.6110.10
ROLLY NRG 11 M33	10.5110.10
ROLLY NRG 11 M33 BC 280 Wh	13.5110.10
ROLLY NRG 11 M33 BC 560 Wh	17.5110.10
ROLLY NRG 11 E33	10.6110.20
ROLLY NRG 11 M33	10.5110.20
ROLLY NRG 11 M33 BC 280 Wh	13.5110.20
ROLLY NRG 11 M33 BC 560 Wh	17.5110.20



English ENGLISH - 1
(Translation of original instructions)

*Dear Customer,
Thank you for choosing one of our cleaning products.*

The floor scrubber dryer that you have purchased has been designed to satisfy the user in terms of ease of use and reliability over time.

We are aware that in order for a good product to stay that way, over time, it requires continuous updates aimed at meeting the expectations of those who use it on a daily basis. For this reason, we hope that you will not only be a satisfied customer but also a partner who does not hesitate to give us your opinions and ideas originating from your personal day-to-day experience.

Contents

Technical data	3
1.1 Introduction	5
2.1 Getting to know the machine	5
3.1 Unpacking.....	5
3.1.a Machine equipment (battery version)	5
3.1.b Machine equipment (charger version).....	5
3.1.c Car battery charger (optional)	5
3.1.d Machine lifting	5
4.1 Assembling the components.....	6
4.1.a Mounting the brush.....	6
4.1.b Positioning of the handle	6
4.1.c Battery mounting for the battery version only.....	6
4.1.d Charger mounting for the electric version only.....	6
5.1 Charging the battery (if equipped)	6
5.1.a Battery charge from a 12V socket.....	7
6.1 Control pannel.....	7
6.2 Lever for the adjustment of the handle bar inclination / machine cycle operation	8
6.3 Lever for machine cycle operation.....	8
6.4 Brush lifting/lowering pedal.....	8
6.5 Ground pressure regulation selector for the brush	9
7.1 Moving the machine	9
8.1 Filling in the clean water tank.....	9
8.1.a Filling in the tank on the machine.....	9
8.1.b Filling in with the tank removed	10
9.1 Operation	10
9.1.a Checks before use	10
9.1.b Preparing the machine and choosing the cycle.....	10
9.1.c Using the machine.....	11
9.1.d End of use and switching off	11
9.1.e Storing the machine.	11
10.1 Draining the recovery water.....	11
11.1 Maintenance and cleaning	12
11.1.a Emptying and cleaning the clean water tank.....	12
11.1.b Cleaning the recovery water tank.....	12
11.1.c Removal of the squeegee system.....	12
11.1.d Cleaning the squeegee system	12
11.1.e Cleaning the brush	13
11.1.f Replacing the brush	13
11.1.g Replacing the squeegee rubber blades.....	13
Troubleshooting	14
Optional accesories	15
Electrical diagram.....	16

Technical data

	Rolly NRG 7,5 M33 Rolly NRG 7,5 E33	Rolly NRG 11 M33 Rolly NRG 11 E33
Type of use	Operator on ground	Operator on ground
Characteristics		
Operation (version ROLLY 7½ E33)	220-240 Vac power supply unit code 22.0617.00	-
Operation (version ROLLY 7½ M33 BC 280Wh)	24V Lithium Battery code 22.0571.00	-
Operation (version ROLLY 7½ M33 BC 560Wh)	24V Lithium Battery code 22.0571.01	-
Operation (version ROLLY 11 E33)	-	220-240 Vac power supply unit code 22.0617.00
Operation (version ROLLY 11 M33 BC 280Wh)	-	24V Lithium Battery code 22.0571.00
Operation (version ROLLY 11 M33 BC 560Wh)	-	24V Lithium Battery code 22.0571.01
Supply power	24V dc	24V dc
Installed load	270 W	270 W
Forward movement	Manual	Manual
Washing width	330 mm	330 mm
Drying width	420 mm	420 mm
Theoretical/actual cleaning capacity	1320 / 800 m ² /h	1320 / 800 m ² /h
Brushes / Pad		
Diameter / number	80 mm	80 mm
Motor power / number	120 W	120 W
Motor speed	800 rpm.	800 rpm.
Specific pressure	35 - 71 - 160 g / cm ²	35 - 71 - 160 g / cm ²
Aspiration		
Motor power	150 W	150 W
Negative pressure (water column)	48 / 490 mbar / mmH ₂ O	48 / 490 mbar / mmH ₂ O
Air flow rate	30 l / sec	30 l / sec
Sound pressure level	58 dB (A)	58 dB (A)
Very silent sound pressure level	54 dB (A)	54 dB (A)

	Rolly NRG 7,5 M33 Rolly NRG 7,5 E33	Rolly NRG 11 M33 Rolly NRG 11 E33
Tank		
Type	Dual tank	Dual tank
Recirculation	No	No
Solution capacity	7,5 l	11 l
Recovery capacity	8 l	12 l
Dimensions (l x p x h)	640 x 450 x 422 mm	640 x 450 x 502 mm
Vibrations		
Level of vibration transmitted to hand/arm (ISO 5349)	<2 m/s ²	<2 m/s ²
Weight		
Empty weight	23 kg	24 kg
Weight with charger (version ROLLY 7½ E33)	25,5 kg	-
Weight with battery (version ROLLY 7½ M33 BC 280Wh)	26,5 kg	-
Weight with battery (version ROLLY 7½ M33 BC 560Wh)	28 kg	-
Weight with charger (version ROLLY 11 E33)	-	26,5 kg
Weight with battery (version ROLLY 11 M33 BC 280Wh)	-	27,5 kg
Weight with battery (version ROLLY 11 M33 BC 560Wh)	-	29 kg
Full load weight	+ 7,5 kg	+ 11 kg
GVW*	35.5 kg	40 kg
Operating temperature	-10°C ÷ 25°C	-10°C ÷ 25°C
Range		
(version ROLLY 7½ M33 BC 280Wh with 22.0571.00)	1 h	-
(version ROLLY 7½ M33 BC 560Wh with 22.0571.01)	2 h	-
(version ROLLY 11 M33 BC 280Wh with 22.0571.00)	-	1 h
(version ROLLY 11 M33 BC 560Wh with 22.0571.01)	-	2 h

*The gross weight of the vehicle includes the tanks full of clean water, empty dirty water tanks and the largest battery

1.1 INTRODUCTION



HAZARD:

Before using the machine, carefully read the attached “**SAFETY WARNINGS FOR THE FLOOR SCRUBBER DRYER**” manual.

2.1 GETTING TO KNOW THE MACHINE (Fig. 1)

- 1) Guide handle.
- 2) Control panel.
- 3) Handle adjustment, brush rotation and water supply lever.
- 4) Brush rotation and water supply lever.
- 5) Battery release selector.
- 6) Battery.
- 7) Revolving wheels.
- 8) Squeegee system arm release lever.
- 9) Revolving brush.
- 10) Brush and wiper lifting/lowering pedal.
- 11) Tank lid.
- 12) Clean water tank.
- 13) Recovery water tank.
- 14) Squeegee system release lever.
- 15) Ground brush pressure adjustment selector.
- 16) Cover latch.
- 48) Squeegee system.

3.1 UNPACKING (Fig. 2)

After removing the package, check the integrity of the machine and of all its components.

If any evident damage is found, contact the area agent and the carrier within 3 days of receipt.

- Remove the box (17) containing the accessories and the bag (18) containing the brush.

3.1.a - Machine equipment (battery version) (Fig. 3)

The accessories supplied are as follows:

- 6) Battery.
- 9) Brush.
- 19) Machine use and maintenance manual.
- 20) Battery charger instruction manual.
- 21) Charger.

3.1.b - Machine equipment (Fig. 4) (charger version)

- 19) User and maintenance manual of the machine.
- 22) Charger.
- 23) Power supply cord.

3.1.c - Car battery charger (optional) (Fig. 4a)

If needed, a car battery charger can be provided to allow the cleaning machine battery charging on the route.

- 35) Car battery charger (optional).

3.1.d - Machine lifting (Fig. 5)



NOTE:

Ensure that the lid (11) is well closed.

One person can lift the machine by inserting a hand under the recovery tank “A” and the other hand in the back of the machine under the base “B”; please see figure.

4.1 ASSEMBLING THE COMPONENTS

4.1.a - Mounting the brush (Fig. 6)

- Lift the machine on vertically as shown in the figure.
- Insert the brush (9) by inserting it in the axle (24), then turn it until it is secured in the holder (25) and a "click" is heard.
- Reposition the machine on the ground.



WARNING:

Use only brushes provided by the manufacturer according to the model of the machine. Using other types of brushes may compromise the safety of the machine.

4.1.b - Positioning of the handle (Fig. 7)

- Unlock the handle (1) pulling the lever (3) and lift it placing it in the desired position.

4.1.c - Battery mounting for the battery version only (Fig. 8a)

- Insert the battery (6) in the socket (26) completely and then turn it towards the machine until a click is heard.

4.1.d - Charger mounting for the electric version only (Fig. 8)

- Check if the power supply cable (23) is correctly inserted in the charger (22).
- Insert the charger (22) in the socket (26) completely and then turn it towards the machine until a click is heard.



WARNING:

- The appliance must be powered via a residual current device (RCD) with a residual nominal current for use not exceeding 30 mA.
- Unwind the electric power cable completely before connecting it to the mains socket.
- Use an electrical extension lead only if in perfect condition; ensure that the section is appropriate for the appliance power rating.

- Never let the power cable run over sharp edges and do not tread on it.
- The socket must be easily accessible.
- it is the end user's responsibility to use a cable with the following features:
 - 3x1 mm² 1.5 m H05VV-F or H05VH2-F for the version with battery charger;
 - 3x1 mm² 15.0m H05VV-F or H05VH2-F for the version with power supply unit and compliant with the latest editions of the regulations:
 - for the power supply cable IEC 60227-1;
 - for the socket IEC 60320-1 (for connection of the power supply cable to the appliance);
 - for the plug IEC 60884-1 (European market);
 - for the plug BS 1363-1 (Saudi Arabian market);
 - for the plug AS/NZS 3112 (Australian/New Zealand market).

5.1 CHARGING THE BATTERY (Fig. 9) (IF EQUIPPED)



WARNING:

The batteries can only be charged using a battery charger: 18.0071.00 - 24V - 5A or alternatively 7501180 - 24V - 10A.



DANGER:

Charge the batteries in well-ventilated areas which comply with standards in force in the country of use.

For safety-related information, follow what is described in chapter 1 of this manual.



WARNING:

For information and warnings on the battery charger, please refer to the manual of the battery charger enclosed herein.

- Lower the selector (5) to release the battery (6).
- It is possible to leave the battery in the machine or to remove it, if needed.
- Insert the plug (27) into the socket on the battery (6) indicated by the “D□C” symbol, and then connect the battery charger (21) to a mains socket.



WARNING:

Check that the mains voltage is compatible with the operating voltage of the battery charger.

- Charge the battery until the “Green” LED (28) turns on, then unplug the power supply cord (29) from the AC power outlet and the cord (27) from the battery.



NOTE:

For the full recharge of the battery, 2 hours are necessary for the 10 A battery and 4 hours for the 20 A battery.
Partial recharges are also possible.

5.1.a - Battery charge from a 12V socket (Fig. 4a - 9)

- Place the machine in the vehicle or van trunk.
- Lower the selector (5) in order to release the battery (6).
- It is possible to leave the battery in the machine or to remove it if needed.
- Insert the plug (27a Fig. 4a) in the battery (6), then connect it to the battery charger (35) at a 12V power outlet of the vehicle or van.



WARNING:

The machine is fitted with a safety device which prevents its operation with an open battery compartment.

6.1 CONTROL PANNEL (Fig. 10)

30) Start-up button

- If pressed for three seconds it actuates the circuits; the LED (31) turns on indicating the inserted line, the vacuum cleaner operation LED (32) turns on, the water supply LED (33a) turns on and one of the battery status LED (34) turns on.



NOTE:

Dopo 5 minuti che la macchina è inattiva automaticamente si spegne ed è necessario ripremere il pulsante (30) per riavviarla.

36) Water supply button

- If this button is pressed, the quantity of water to be supplied during the cycle until the end of the supply can be set up, by passing from one quantity to another, the quantity is indicated by one of the LEDs (33);
Led 33a = minimum supply.
Led 33b = average supply.
Led 33c = maximum supply.
Leds 33 turned off = no supply.



NOTE:

The rotation of the brush is enabled by the levers (4) pressed or by the lever (3) pressed.
It is possible to cut off the water supply by pressing the button (36) until all LEDs (33) are turned off.

37) Vacuum cleaner button.

- Upon the start-up of the machine, the vacuum cleaner is set to standard operation and the LED (32) turns on.
- It is possible to go from a normal operation to a silent operation until the vacuum cleaner is turned off by pressing the button (37).
The lit LED (32) indicates a normal operation.
The lit LED (38) indicates a silent operation.
The turned off LEDs (32) and (38) indicate the turned off vacuum cleaner.

**NOTE:**

The vacuum cleaner will operate for another 10 seconds before turning off when switched from silent operation to off.

**NOTE:**

The operation of the vacuum cleaner is enabled by the levers (4) pressed or by the lever (3) pressed.

39) Led indicating the maximum level of the recovery water

- It turns on when the level of water from the recovery tank has reached the maximum level; when reaching the maximum level, the turned on LED (39) means that the machine turns off.

34) Battery charge status LEDs

- The LEDs (34) indicate the battery charge status.
Led 34a = low battery.
Led 34b = low battery, please recharge the battery.
Led 34c = battery full.
- When the battery is low, the yellow LED (34b) turns on, and the machine has a range of a few minutes until the red LED (34a) flashes and the brush stops revolving; charge the battery before turning off the machine (red LED 34a turns on steady).

40) LED indicating the excessive pressure of the brush.

- When it turns on, it indicates that there is an excessive ground pressure of the brush caused by the type of flooring or by the incorrect adjustment, therefore it is necessary to reduce the pressure by pressing the appropriate selector as indicated in the corresponding paragraph.

6.2 LEVER (3) FOR THE ADJUSTMENT OF THE HANDLE BAR INCLINATION / MACHINE CYCLE OPERATION (FIG. 11)

- With the machine turned off, by pulling the lever (3) it is possible to change the position of the handle bar (1); by releasing the lever, the handle bar is positioned and blocked in the position it is found.
- With the machine turned on, by pulling and holding the lever (3), it starts the working cycle and it is possible to change the position of the handle bar (1) so that it will be possible to clean under the tables as well; by releasing the lever, the cycle closes and the handle bar is positioned and blocked in the position it is found.

6.3 LEVER (4) FOR MACHINE CYCLE OPERATION (FIG. 10-11)

- By pressing the levers (4) with the LED (31) turned on, the working cycle starts; if the lever is released, the working cycle stops.

6.4 BRUSH LIFTING/LOWERING PEDAL (FIG. 12)

- By moving the pedal (10) towards the inside part of the machine, the pedal is lifted, in position "S", the brush and the wipers are lowered into the working position.
- By pressing the pedal (10) and slightly moving it towards the external part of the machine, the pedal is blocked into the position "P", the brush and the wipers are in lifted, parking or moving position.

6.5 GROUND PRESSURE REGULATION SELECTOR FOR THE BRUSH (FIG. 1)

- Use the selector (15) to adjust the ground pressure of the brush; to switch from one pressure to another, turn the selector (15):
 - to increase the pressure, turn the selector (15) counter clockwise;
 - to decrease the pressure, turn the selector (15) clockwise;



NOTE:

You cannot switch directly from the minimum pressure "A" to the maximum pressure "C" or vice versa
You should always go from the average pressure "B".

Position "A" = Minimum pressure

Position "B" = Average pressure

Position "C" = High pressure



NOTE:

If the ground pressure is high, the battery charge duration will shorten.

7.1 MOVING THE MACHINE (Fig. 1)

- Lift the brush (9) using the pedal (10).
- Move the machine by pushing the handle bar (1).

8.1 FILLING IN THE CLEAN WATER TANK



WARNING:

Ensure that the machine is turned off and, in case of a machine with a charger, ensure that the plug is disconnected from the AC power outlet.



WARNING:

Only add clean mains water to the tank at a temperature no greater than 50°C.



WARNING:

If the detergent comes in contact with the eyes and/or skin or if swallowed, refer to the use and safety information booklet provided by the manufacturer of the detergent.

Seek medical aid, if necessary.

The filling in of the tank (12 Fig. 1) can be made with the tank on the machine or with the tank removed.

- Release the lever (16 Fig. 13) for closing the tank lid and lift the lid (11 Fig. 13).

8.1.a - Filling in the tank on the machine (Fig. 14)

- Lift the lid (41) of the clean water tank (12) and place it turned inside the recovery water tank (13).
- Fill in the tank (12) with clean water up to the maximum level "MAX".
- Pour the liquid detergent inside the lid (41) in order to ease the dosage; the inside of the lid features a graded scale indicating the quantity of detergent in % depending on the quantity of water in the tank.
- Turn the lid (41) by placing it above the tank (12) pouring the liquid detergent inside the tank

8.1.b - Filling in with the tank removed (Fig. 15 - 16)

- Lift the tank (12) and remove it from the machine.
- Place the tank in a sink and remove the lid (41).
- Pour clean water up to the maximum level "MAX":
- Place the lid (41) upside down on the tank (12) and pour liquid detergent in the lid (41) in order to ease the dosage; the inside of the lid features a graded scale indicating the quantity of detergent in % depending on the quantity of water in the tank.
- Turn the lid (41) by placing it above the tank (12) pouring the liquid detergent inside the tank.
- Replace the tank on the machine.



NOTE:

Only use non-foamy floor cleaners. For the amounts to be used, refer to the manufacturer's instructions and the type of dirt (maximum percentage to be used: 5%); (maximum temperature 50°C).



DANGER:

If the detergent comes in contact with the eyes and/or skin or if swallowed, refer to the use and safety information booklet provided by the manufacturer of the detergent.

9.1 OPERATION



WARNING:

Use the appliance only with the power supply unit supplied with the machine itself or with the optional units:

Code 22.0684.00 Battery 24V - 280Wh;

Code 22.0684.01 Battery 24V - 560Wh;

Code 22.0617.00 Power supply unit 24V.

9.1.a - Checks before use (Fig. 1)

- Check that the tank (12), the tank (13) and the lid (11) are placed correctly.
- Check that the brush (9) is correctly attached.
- Check that the tank (12) is filled in with clean water and detergent (if necessary).
- Check the correct position of the battery and its charge status (for operation with battery).
- Check the correct position of the charger and that the plug is correctly inserted in the power outlet (for operation with the mains).

9.1.b - Preparing the machine and choosing the cycle (Fig. 17)

- Lower the brush and the wipers by pressing the pedal (10 Fig. 1) by releasing it from its slot.

Work cycle

- The machine can perform 4 working cycles:

Dry only cycle

- Press the button (37) for three seconds, the LED (32) turns on, enabling the operation of the vacuum cleaner, then press the levers (4) or the lever (3) to start the cycle.

Brushing only cycle

- In order to perform the brushing cycle only, cut off the water supply by pressing the button (36) and enable the operation of the vacuum cleaner by pressing the button (37), then press the levers (4) or the lever (3) to start the cycle.

Washing, brushing cycle

- In order to perform the washing and brushing cycle, it is necessary to turn off the vacuum cleaner by pressing the button (37), then press the levers (4) or the lever (3) to start the cycle.

Washing, brushing, drying cycle

- Check that the vacuum cleaner and the water supply are set up for the desired function, then press the levers (4) or the lever (3) to start the cycle.

9.1.c - Using the machine (Fig. 18)

- After turning on the machine and choosing the type of cycle, initiate the cleaning operations by pressing and holding the levers (4) or the lever (3); then turn off the machine using the buttons (42) on the handle bar (1).

NOTE:

By order not to damage the floor and to avoid excessive water accumulations, do not use the machine stopped with the revolving brush attached.

NOTE:

In order not to damage the floor and to avoid excessive water accumulations, do not use the machine stopped with the revolving brush attached.

- If needed, adjust the quantity of washing water using the button (36).
- Check the battery charge status by means of the LEDs (34) (battery version only).
- If needed, adjust the ground pressure of the brush by pressing the button (15).

9.1.d - End of use and switching off (Fig. 18)

- At the end of the cleaning operations, before turning off the machine, cut off the water supply by pressing the relative button, continue with the vacuum cleaner and with the revolving brush attached in order to vacuum the entire liquid from the floor and from the brush, then release the levers (4).
- Lift the brush assembly (9) by pressing the pedal (10) until reaching the limit switch securing it in the adequate slot.



WARNING:

Always lift the brush assembly at the end of the cleaning operations in order to avoid its deformation and of the rubber blades.

- Press the button (30), the LED (31) turns off.
- Disconnect the power supply cord from the socket (charger version only).

9.1.e - Storing the machine (Fig. 19)

NOTE:

Before storing the machine, ensure that the tanks (12) and (13) are empty.

The machine was designed to be stored in confined spaces.

- Lower the handle bar (1), the machine can be placed under a shelf or it can be lifted vertically according to the drawing in order to be placed between two furniture pieces.

10.1 DRAINING THE RECOVERY WATER (Fig. 20)

At the end of the washing cycle or when the recovery water tank (13) is full, it is necessary to empty the tank by proceeding as follows:

N.B.:

To dispose of the recovery water, comply with the standards in force in the country in which the machine is used.

- Lift the lid (11).
- Remove the tank (13) by lifting the machine using the handle bars (43).
- Place it on a drain valve and fully drain the entire water from the tank.
- Clean the gasket (44) with a wet cloth.
- Clean the inside of the tank and replace it on the machine, ensuring that the handle bars (43) are withdrawn, as shown in the figure.

11.1 MAINTENANCE AND CLEANING



WARNING:

For information and warnings regarding maintenance or cleaning, follow the information given in the “General warnings during maintenance” in chapter 1 in this manual.

OPERATIONS TO PERFORM DAILY

11.1.a - Emptying and cleaning the clean water tank (Fig. 21)



WARNING:

At the end of the washing operations, it is compulsory to drain and clean the clean water tank to prevent deposits or scaling.

After draining the recovery water tank, drain the clean water tank as follows:

- Lift the lid (11 Fig. 1) and remove the tank (12).
- Drain the water from a drain valve and wash the tank inside with clean water; also, clean well the filter (45).
- Replace the tank.

11.1.b - Cleaning the recovery water tank (Fig. 20)



WARNING:

At the end of the washing operations, it is compulsory to clean the recovery water tank to prevent deposits or scaling and the proliferation of bacteria, odours or mould.

- Drain and clean the recovery water as indicated in the corresponding paragraph.
- Replace all the components in reverse order.

11.1.c - Removal of the squeegee system (Fig. 22)

- Remove the tank (13 Fig. 1) as indicated in the corresponding paragraph.
- Release the lever (8).
- Pull the lever (14) and lift the arm at the same time (45).
- Disconnect the two vacuum tubes (46) from the corresponding holder.
- Pull out towards the outside of the squeegee system (47).

To replace, perform the steps in reverse order ensuring the correct position of the two tubes (46) in the corresponding housings.

11.1.d - Cleaning the squeegee system (Fig. 23)

In order to clean the squeegee correctly (48), it is necessary to remove it as follows:

- Remove the group as indicated in the corresponding paragraph.
- Turn the levers (49) towards the outside and place them on both sides of the group.
- Remove the wipers (48) on both sides. Wash properly the wipers (48), the vacuum blocks (50), the inside of the body (51) and the wheels (52), verify that the tubes (46) are not obstructed by cleaning them well on their upper part.



NOTE:

If during the washing, you notice that the rubber blades (53) are damaged or worn, it is necessary to replace them or to turn them upside down.

- Replace all the components in reverse order.

11.1.e - Cleaning the brush (Fig. 24)



WARNING:

Do not put the brush into a bucket or container with water or water and detergent.

The brush can be removed both with the squeegee system (48 Fig. 1) mounted or dismounted.

- Press the button (55) from the central part of the brush (9).
- Slightly lift the machine and pull out the brush (9) as shown in the figure.
- Wash well the brush and check that there are no wires or other fibres on the brush.
- Perform the steps in this section in reverse in order to replace it ensuring the correct insertion of the brush (9) in the axle (24), then turn it to secure it in the holder (25) until a click is heard.

OPERATIONS TO PERFORM WHEN NECESSARY

11.1.f - Replacing the brush

If it is necessary to replace the brush when it is worn and has a \emptyset under 6.5 cm or to replace it according to the type of floor to wash:

- Remove the brush as indicated in the paragraph "Cleaning the brush" and replace it with a new one.

11.1.g - Replacing the squeegee rubber blades (Fig. 25)

When it becomes clear that drying the floor is difficult or traces of water remain on the floor, it is necessary to check the wear on the squeegee rubber blades (48 Fig. 1):

- Remove the squeegee unit (48 Fig. 1) as indicated in the "Cleaning the squeegee" paragraph.
- Remove the internal rubber blade (53).
- Remove the latch (54) by rotating the hand wheel (55).
- Remove the external rubber blade (56).



NOTE:

When the rubber blades (53) and (56) are worn on one side, they can be turned upside down once.

- Replace or turn upside down the rubber blades (53) and (56) without interchanging them.
- Replace all the components in reverse order.



NOTE:

Do not interchange the rubber blades, a smooth rubber blade will be mounted inside the wiper and a corrugated one will be mounted on the outside.

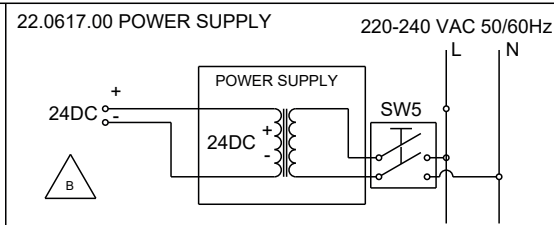
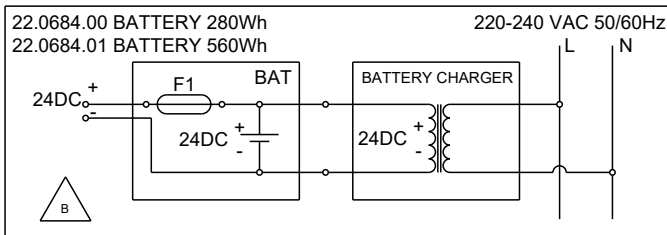
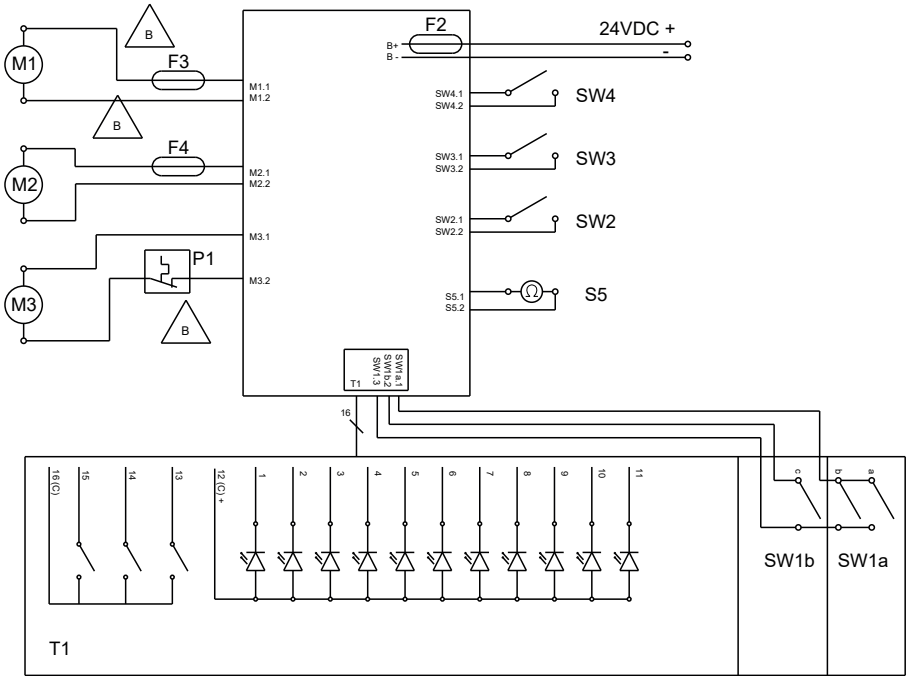
TROUBLESHOOTING

PROBLEM	CAUSE	SOLUTION
If the levers on the handle bar are pressed, the machine does not start.	Low battery (battery version only).	Check that the battery is charged.
	Plug disconnected (charger version only).	Connect the plug.
The brush does not rotate.	Levers on the handle bar not pressed.	Press the levers.
	Brush rotation enabling button not pressed.	Press the button.
	Brush motor damaged.	Replace the engine.
Aspirator does not work.	Vacuum cleaner turned off.	Start the vacuum cleaner by pressing the corresponding button.
	Intake motor damaged.	Replace the turbine.
The machine does not dry well, leaving traces of water on the floor.	Aspirator off.	Start the vacuum cleaner by pressing the corresponding button.
	Obstructed vacuum tubes.	Check and if necessary clean the vacuum tubes that connect the wipers to the recovery tank.
	Dirty wiper rubber blades.	Clean the rubber blades of the wiper.
	Squeegee rubber blades worn.	Replace or turn over the squeegee rubber blades.
The machine turns off.	Low battery.	Charge battery.
	Recovery tank full.	Empty the tank.
No water comes out.	Tank empty.	Fill the tank.
	Filter blocked.	Clean the filter.
	Pump not functioning.	Call the technical support service.
Insufficient floor cleaning.	Inadequate brush or detergent.	Use brush or detergents adequate to the type of floor or dirt to be cleaned.
	Brush worn.	Replace the brush.

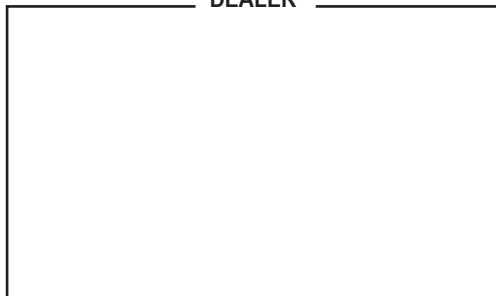
OPTIONAL ACCESORIES

- Polypropylene
cylindrical brush (soft).....Code 40.5000.01
- Polypropylene
cylindrical brush (hard).....Code 40.5000.02
- Tynex
cylindrical brushCode 40.5000.03
- Microfibre
cylindrical brushCode 40.5000.04
- Natural rubber blade kitCode 96.0085.00
- Battery charger Li-ion 24V 10A.....Code 7501180
- Car battery charger 24-12V 5A.....Code 18.0065.00

ELECTRICAL DIAGRAM



DEALER



Cod. 49.0278.00 - 6ª ed. - 07/2022

GHIBLI & WIRBEL S.p.A.

Registered office:

Via Enrico Fermi, 43 - 37136 Verona (VR) - Italy

Headquarters:

Via Circonvallazione, 5 - 27020 Dorno (PV) - Italy

P. +39.0382.848811 - F. +39.0382.84668 - M. info@ghibliwirbel.com

www.ghibliwirbel.com

100% MADE IN ITALY



ISO 9001

